



ILLUSTRATED PARTS BOOK

196cc Rear Tine Tiller
MODEL#: PRTT196E



Table of Contents

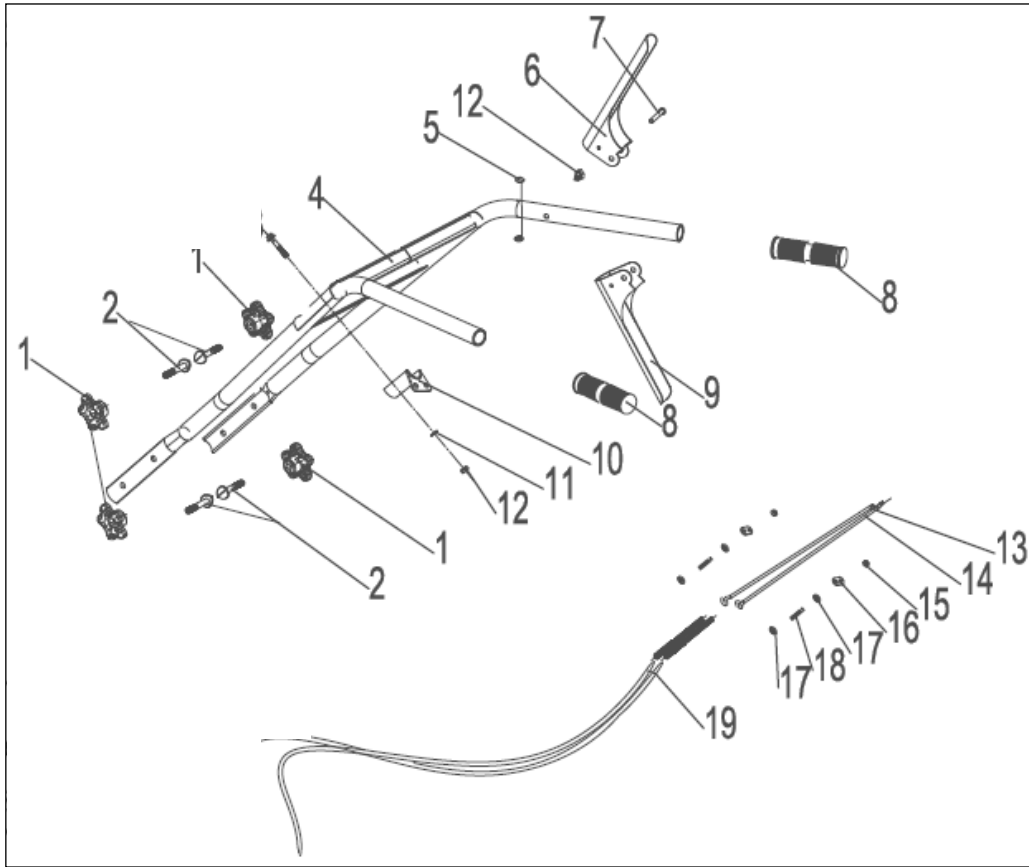
Upper Handle Assembly	3
Forward Controls.....	4-5
Rear Controls	6-7
Tines & Tine Shield.....	8-9
Transmission.....	10-11
Unit Decals.....	12

Engine Components

Cylinder Head.....	13
Crankcase.....	14
Crankcase Cover.....	15
Camshaft.....	16
Recoil Starter.....	17
Carburetor.....	18
Flywheel / Ignition.....	19
Air Filter.....	20
Control Assembly.....	21
Muffler.....	22
Fuel Tank – EPA3.....	23

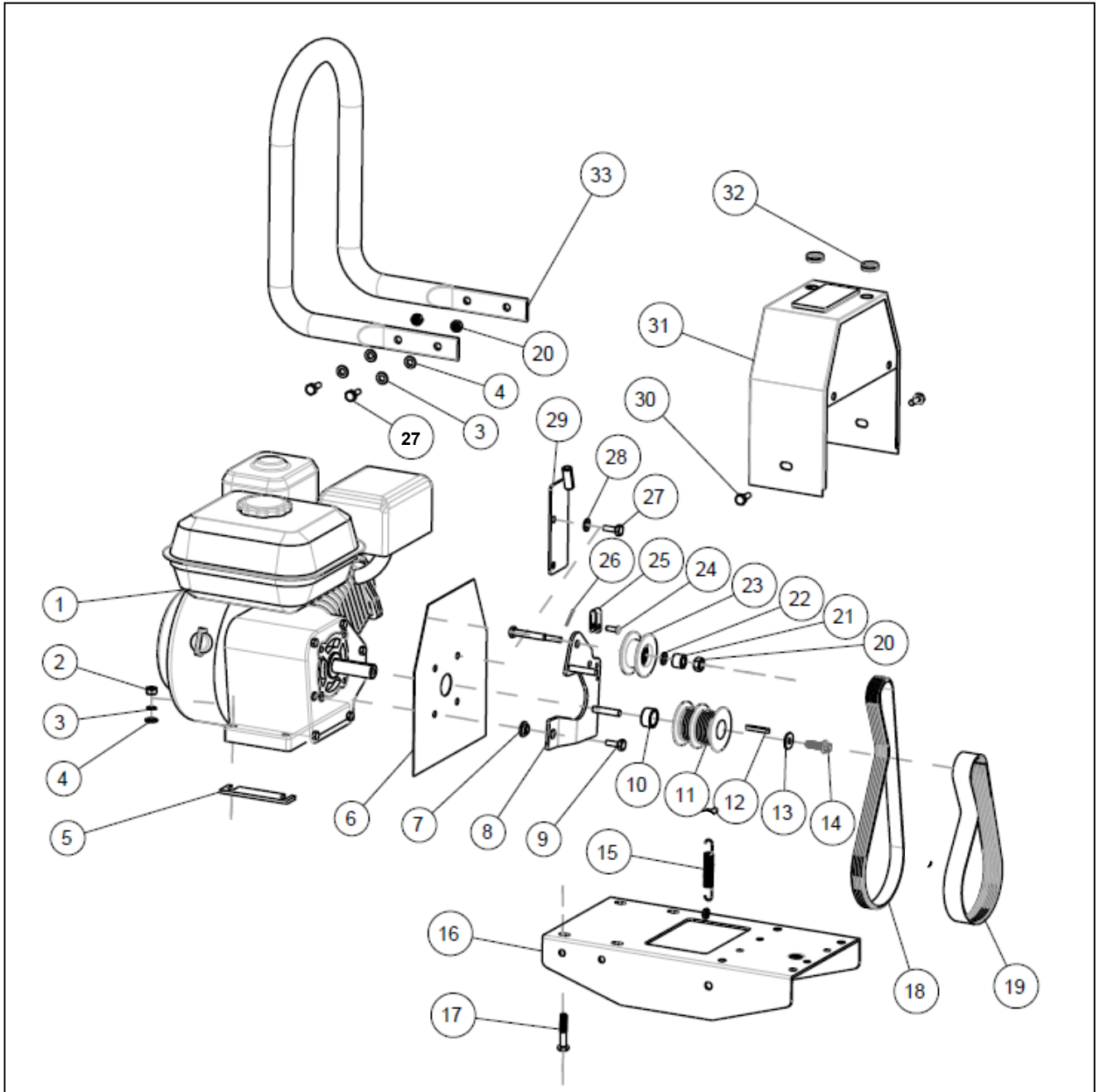
**Original Parts Bag for Unit.....A202658

Upper Handle Assembly



REF. NO.	DESCRIPTION	PART NO.	RQD
1	Knob, Handle	A200486	4
2	Screw, Handle, M8x50 Square Neck	A202629	4
3	M6x1.0x45, Hex Flange Screw, Grade 8.8, Zinc	<i>Reference Only</i>	1
4	Upper Handle	A202634	1
5	Rubber bushing, Clutch Lever	<i>Reference Only</i>	2
6	Clutch Lever, Forward	A200801	1
7	M6x1.0x50, Hex Flange Screw, Grade 8.8, Zinc	<i>Reference Only</i>	1
8	Handle Grip	A200802	2
9	Clutch Lever, Reverse	A200803	1
10	Handle Mounting Bracket, Clutch Cable	A200495	1
11	Flat Washer, M6, Zinc	<i>Reference Only</i>	14
12	Locknut, M6x1.0, Grade 8, Zinc	<i>Reference Only</i>	7
13	Clutch Rod, Reverse	A200498	1
14	Clutch Rod, Forward	A200499	1
15	Locknut, M5x0.8, Grade 8, Zinc	<i>Reference Only</i>	2
16	Bracket, Clutch Rod	A200501	2
17	Flat Washer, M5	<i>Reference Only</i>	4
18	Spring, Clutch Rod	A200503	2
19	Clutch Cable	A200504	2

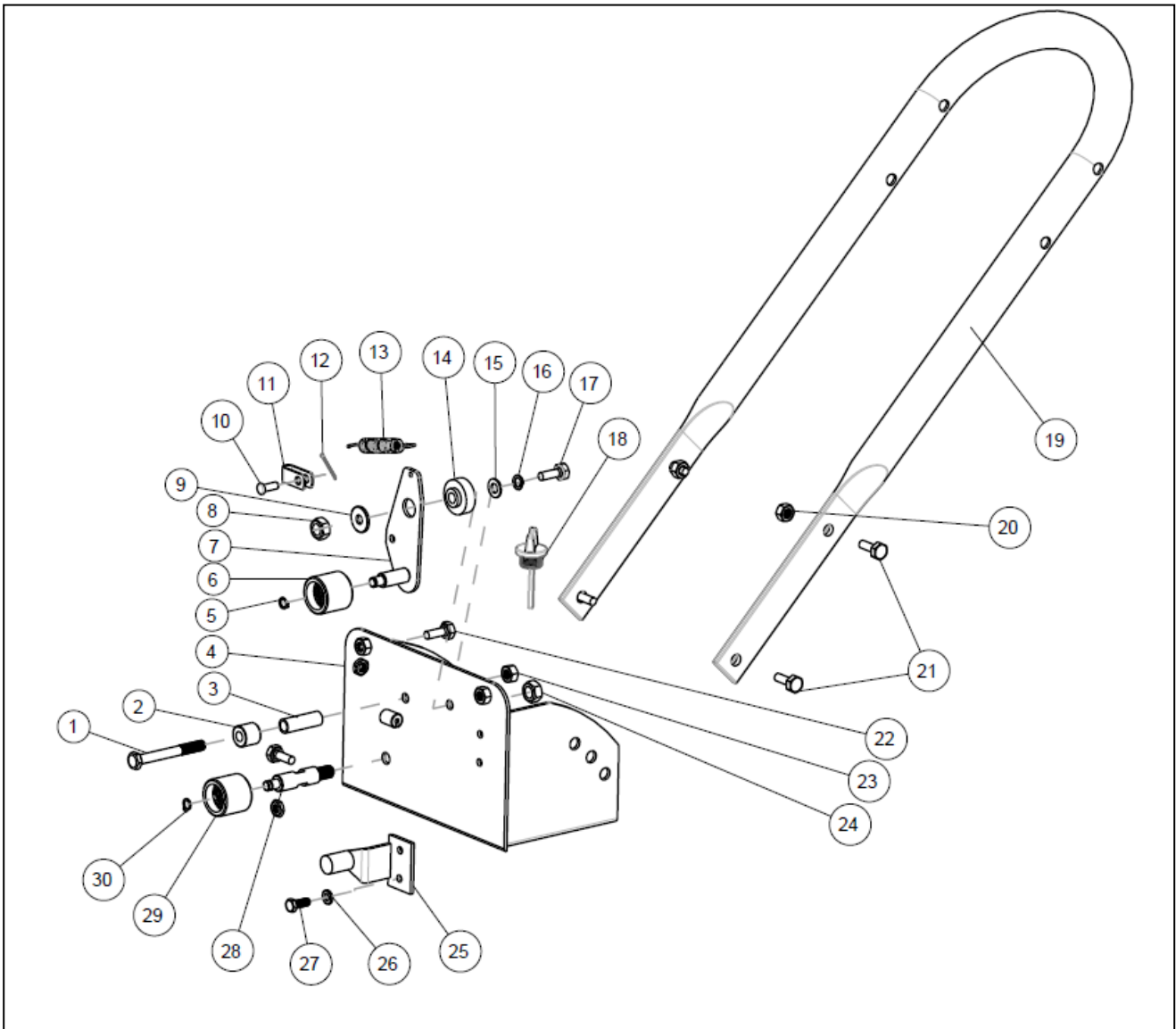
Forward Controls



Forward Controls

REF. NO.	DESCRIPTION	PART NO.	RQD
1	Engine, 196cc Loncin EPA Phase-3	A202402	1
2	Hex Nut, M8x1.25, Zinc, Grade 8	<i>Reference Only</i>	8
3	Lock Washer, M8, Zinc	<i>Reference Only</i>	8
4	Flat Washer, M8, Zinc	<i>Reference Only</i>	8
5	Spacer, Engine Mounting	A200534	2
6	Mounting Plate, Belt Cover - Powermate	A200505	1
7	Spacer, PM Bracket	A200542	1
8	Bracket, Tensioner-Reverse	A200543	1
9	Screw, M8x1.25x25, Hex Head, Zinc, Grade 8.8	<i>Reference Only</i>	1
10	Shaft Bushing, Forward Pulley	A200509	1
11	Pulley, Forward Drive	A200510	1
12	Key, Flat-4.78x5x45	A200511	1
13	Washer, Flat-8.5x24.5x4	A200513	1
14	Screw, 5/16-24x25, Hex Flange Head, Zinc, Grade 8.8	<i>Reference Only</i>	1
15	Spring, Tension	A200544	1
16	Frame, Engine Mounting - Powermate	A200536	1
17	Screw, M8x1.25x40, Hex Head, Zinc, Grade 8.8	<i>Reference Only</i>	4
18	Drive Belt, Reverse – 5PK740	A200528	1
19	Drive Belt, Forward – 7PK597	A200512	1
20	Hex Nut, M10x1.5, Zinc, Grade 8	<i>Reference Only</i>	3
21	Bushing-2	A200558	1
22	Flat Washer, M10, Zinc	<i>Reference Only</i>	1
23	Pulley, Reverse Tensioner	A200527	1
24	Retaining Pin - 6x16	A200521	1
25	Clip, Cable	A200520	1
26	Hair Pin, 1.5x20	A200519	1
27	Screw, M8x1.25x16, Hex Head, Zinc, Grade 8.8	<i>Reference Only</i>	7
28	Flat Washer, M8, Zinc	<i>Reference Only</i>	3
29	Belt Mounting Plate, Reverse Cable	A200507	1
30	Screw, M8x1.25x16, Hex Head, Zinc, Grade 8.8	<i>Reference Only</i>	2
31	Cover, Belt	A200565	1
32	Rubber Grommet, Belt Cover	A200569	2
33	Handle, Bull Bar	A202635	1

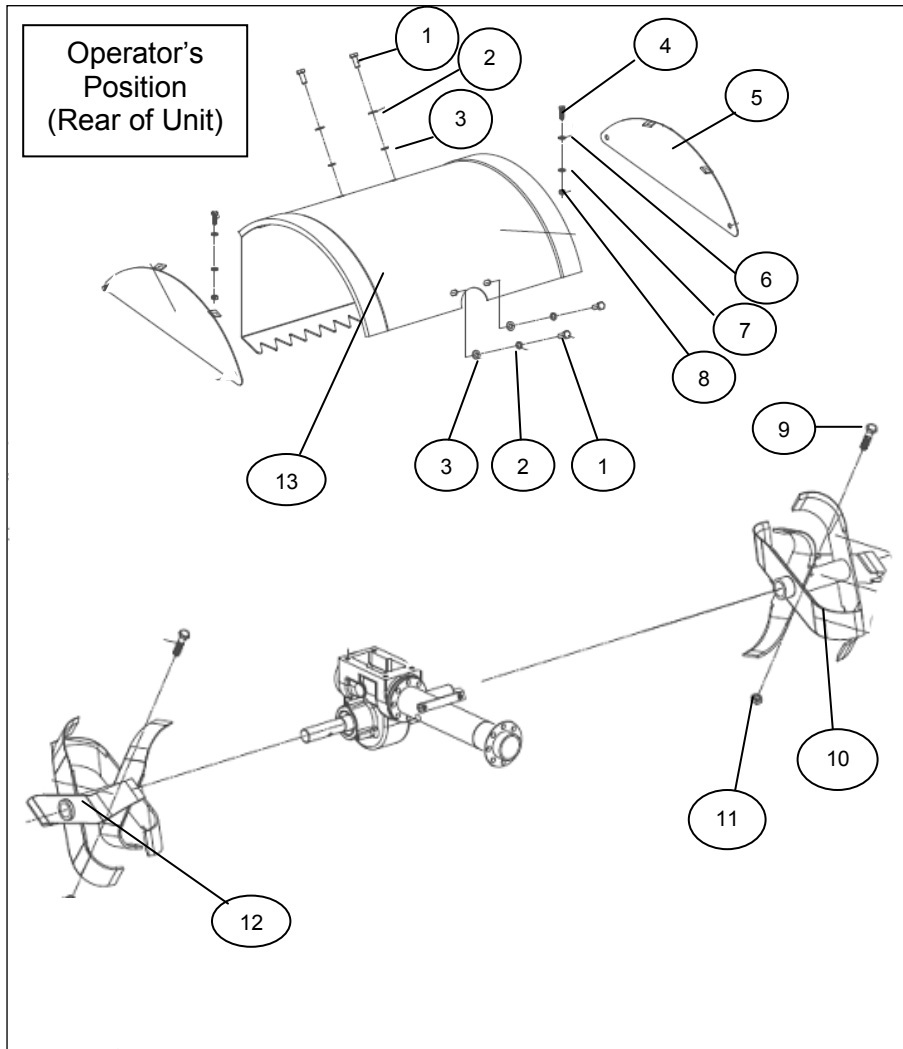
Rear Controls



Rear Controls

REF. NO.	DESCRIPTION	PART NO.	RQD
1	Screw, M8x1.25x65, Hex Head, Zinc, Grade 8.8	<i>Reference Only</i>	1
2	Bushing-2	A200558	1
3	Bushing-3	A200560	1
4	Frame, Handle Mounting - Powermate	A200535	1
5	C-Clip, 10	A200546	1
6	Pulley, Forward Tensioner	A200549	1
7	Arm, Clutch Bracket	A200550	1
8	Hex Nut, M8x1.25, Zinc, Grade 8	<i>Reference Only</i>	1
9	Flat Washer, 8.5x30x3, Zinc	A200513	1
10	Retaining Pin - 6x16	A200521	1
11	Clip, Cable	A200520	1
12	Hair Pin, 1.5x20	A200519	1
13	Spring, Tension	A200544	1
14	Bushing, Shaft Tensioner	A200552	1
15	Flat Washer, M8, Zinc	<i>Reference Only</i>	1
16	Lock Washer, M8, Zinc	<i>Reference Only</i>	1
17	Screw, M8x1.25x30, Hex Head, Zinc, Grade 8.8	<i>Reference Only</i>	1
18	Dipstick, Transmission Oil	A200564	1
19	Handle, Lower	A202636	1
20	Hex Nut, M10x1.5, Zinc, Grade 8	<i>Reference Only</i>	2
21	Screw, M10x1.5x25, Hex Head, Zinc, Grade 8.8	<i>Reference Only</i>	4
22	Screw, M8x1.25x16, Hex Head, Zinc, Grade 8.8	<i>Reference Only</i>	2
23	Hex Nut, M8x1.25, Zinc, Grade 8	<i>Reference Only</i>	1
24	Hex Nut, M10x1.5, Zinc, Grade 8	<i>Reference Only</i>	1
25	Guide, Reverse Belt	A200557	1
26	Flat Washer, M6, Zinc	<i>Reference Only</i>	2
27	Screw, M6x1.0x20, Hex Head, Zinc, Grade 8.8	<i>Reference Only</i>	2
28	Tensioner Shaft, Forward	A200559	1
29	Tensioner, Forward	A200556	1
30	C-Clip, 8	A200547	1

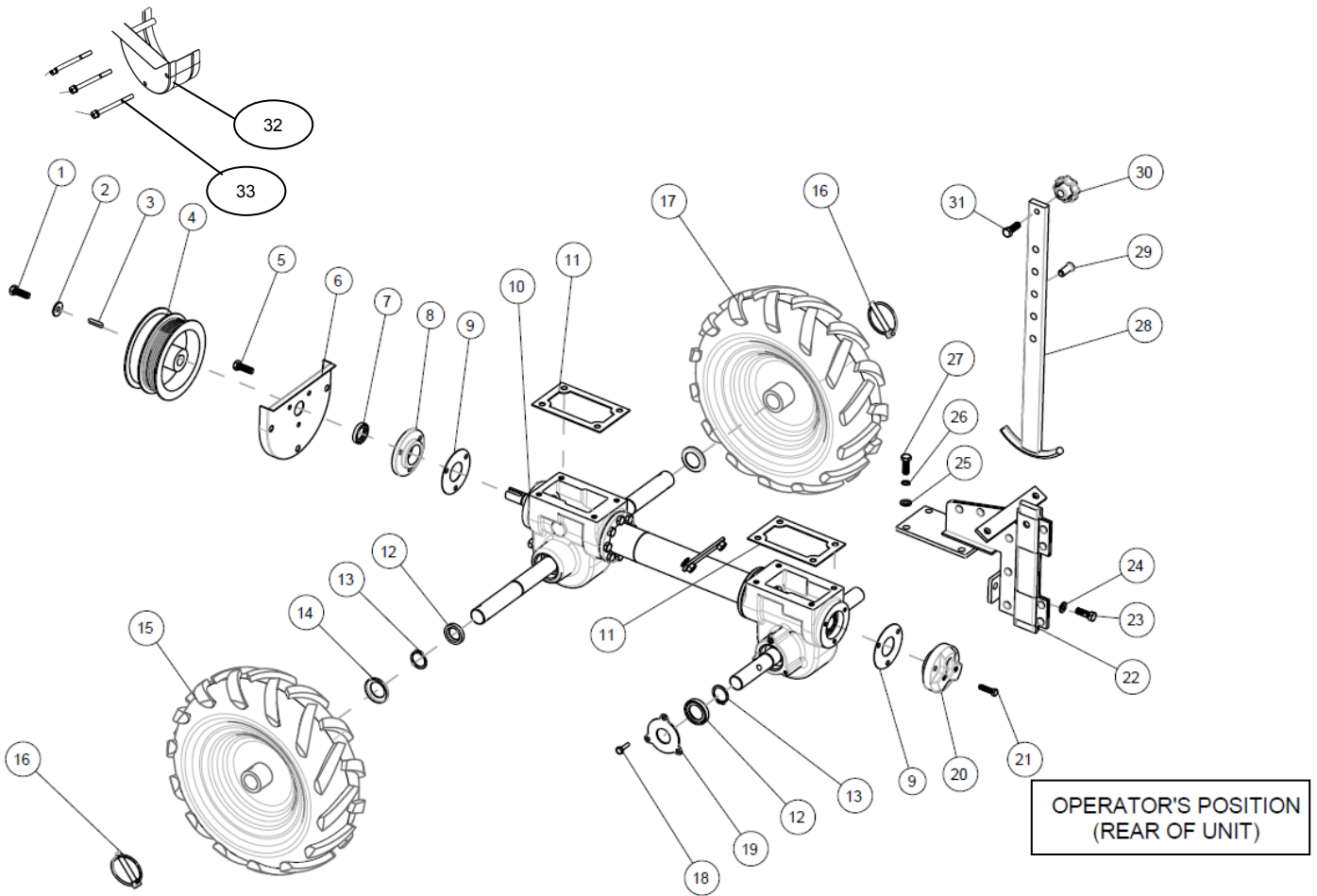
Tines & Tine Shield



Tines & Tine Shield

REF. NO.	DESCRIPTION	PART NO.	RQD
1	Screw, M8x1.25x20, Hex Head, Zinc, Grade 8.8	<i>Reference Only</i>	4
2	Lock Washer, M8, Zinc	<i>Reference Only</i>	4
3	Flat Washer, M8, Zinc	<i>Reference Only</i>	4
4	Screw, M6x1.0x25, Hex Head, Zinc, Grade 8.8	<i>Reference Only</i>	4
5	Tine Shield, Stationary	A200567	2
6	Flat Washer, M6, Zinc	<i>Reference Only</i>	4
7	Lock Washer, M6, Zinc	<i>Reference Only</i>	4
8	Hex Nut, M6x1.0, Zinc, Grade 8	<i>Reference Only</i>	4
9	Screw, M10x1.5x50, Hex Head, Zinc, Grade 8.8	<i>Reference Only</i>	2
10	Tines, Left (Determined from Operator's Position)	A200580	1
11	Hex Nut, M10x1.5, Zinc, Grade 8	<i>Reference Only</i>	2
12	Tines, Right (Determined from Operator's Position)	A200579	1
13	Tine Shield, Main - Powermate	A200572	1

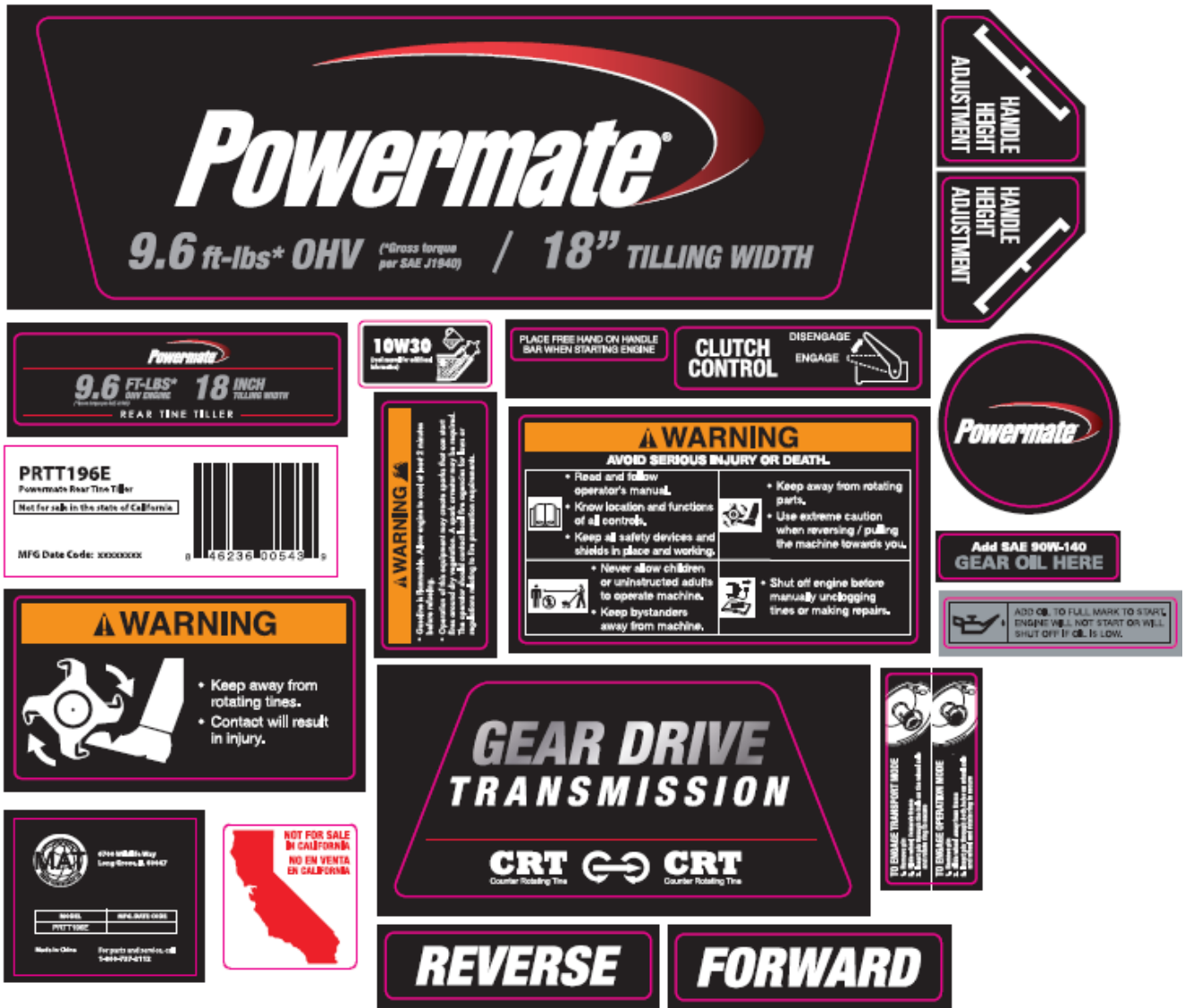
Transmission



Transmission

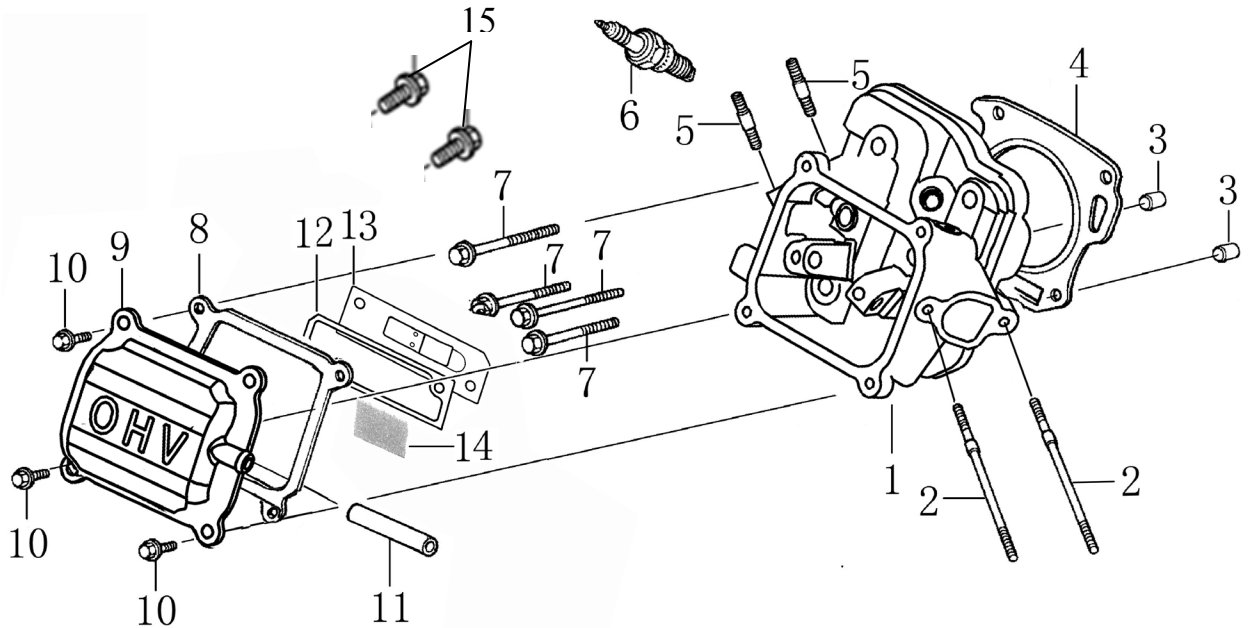
REF. NO.	DESCRIPTION	PART NO.	RQD
1	Screw, M8x1.25x25, Hex Head, Zinc, Grade 8.8	<i>Reference Only</i>	1
2	Flat Washer, M8, Zinc	<i>Reference Only</i>	1
3	Key, Flat - 5x5x25	A200586	1
4	Pulley, Transmission	A200587	1
5	Screw, M6x1.0x25, Hex Head, Zinc, Grade 8.8	<i>Reference Only</i>	3
6	Belt Cover, Lower Stationary - Powermate	A200589	1
7	Oil Seal, Transmission – 19x32x7	A200591	1
8	Transmission Cover, Front	<i>Reference Only</i>	1
9	Gasket 2, Transmission	A200592	2
10	Kit, Transmission Assembly	A201911	1
11	Gearbox Gasket, Transmission	A200538	2
12	Oil Seal, Transmission – 25x40x7	A200601	4
13	C-Clip, 25	A200599	4
14	Shaft Spacer, Wheel	A200598	2
15	Tire Assembly, 13"-Left (Determined from Operator's Position)	A200597	1
16	Lock Pin, Wheel	A200596	2
17	Tire Assembly, 13"-Right (Determined from Operator's Position)	A200809	1
18	Screw, M6x1.0x16, Hex Head, Zinc, Grade 8.8	<i>Reference Only</i>	12
19	Seal Cap, Transmission	A200607	4
20	Rear Cover, Transmission	A200613	1
21	Screw, M6x1.0x25, Hex Head, Zinc, Grade 8.8	<i>Reference Only</i>	3
22	Mounting Frame, Drag Bar	A200574	1
23	Screw, M8x1.25x20, Hex Head, Zinc, Grade 8.8	<i>Reference Only</i>	2
24	Flat Washer, M8, Zinc	<i>Reference Only</i>	2
25	Flat Washer, M8, Zinc	<i>Reference Only</i>	4
26	Lock Washer, M8, Zinc	<i>Reference Only</i>	4
27	Screw, M8x1.25x25, Hex Head, Zinc, Grade 8.8	<i>Reference Only</i>	4
28	Drag Bar	A200576	1
29	Pin, Drag Bar	A200577	1
30	Handle Knob, Drag Bar	A200575	1
31	Screw, M8x1.25x30, Hex Head, Zinc, Grade 8.8	<i>Reference Only</i>	1
32	Belt Cover, Lower Front-Powermate	A200584	1
33	Screw, M8x1.25x90, Hex Head, Zinc, Grade 8.8	A200583	3

Unit Decals



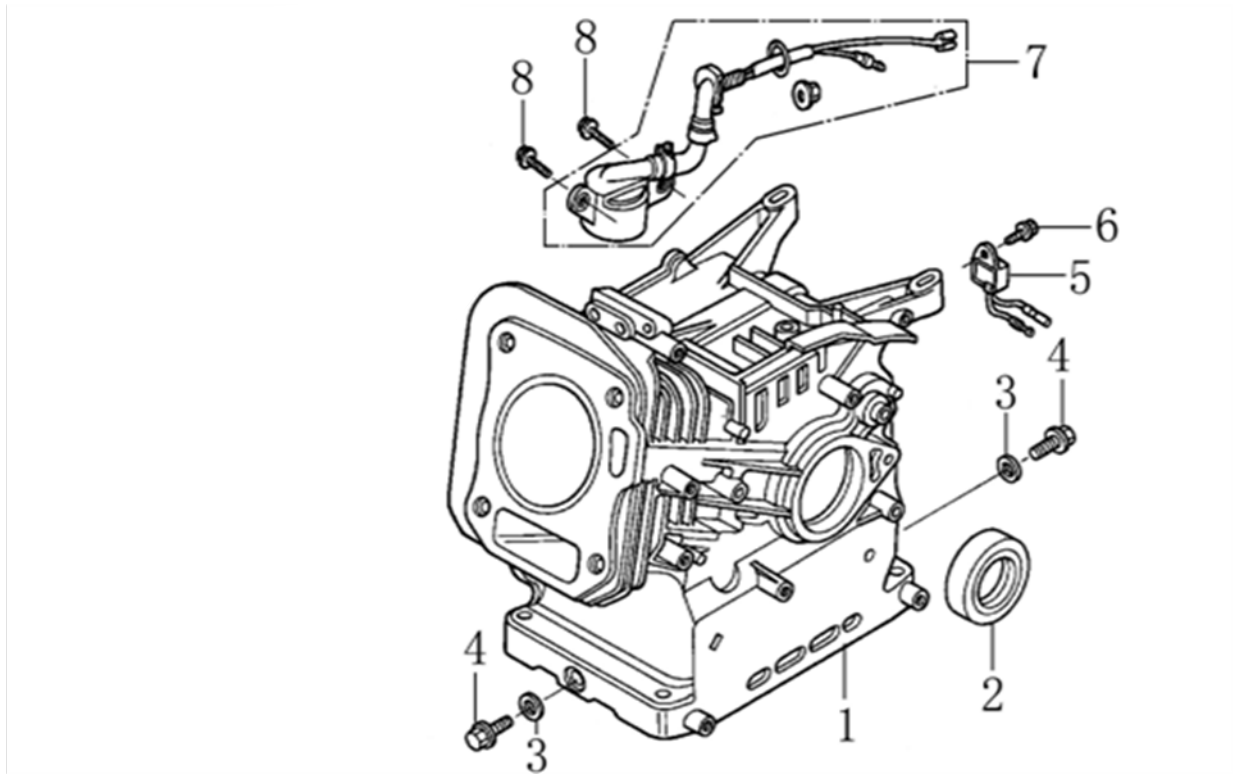
REF. NO.	DESCRIPTION	PART NO.	RQD
-	Decal Sheet, PRTT196E	A202637	1

Cylinder Head



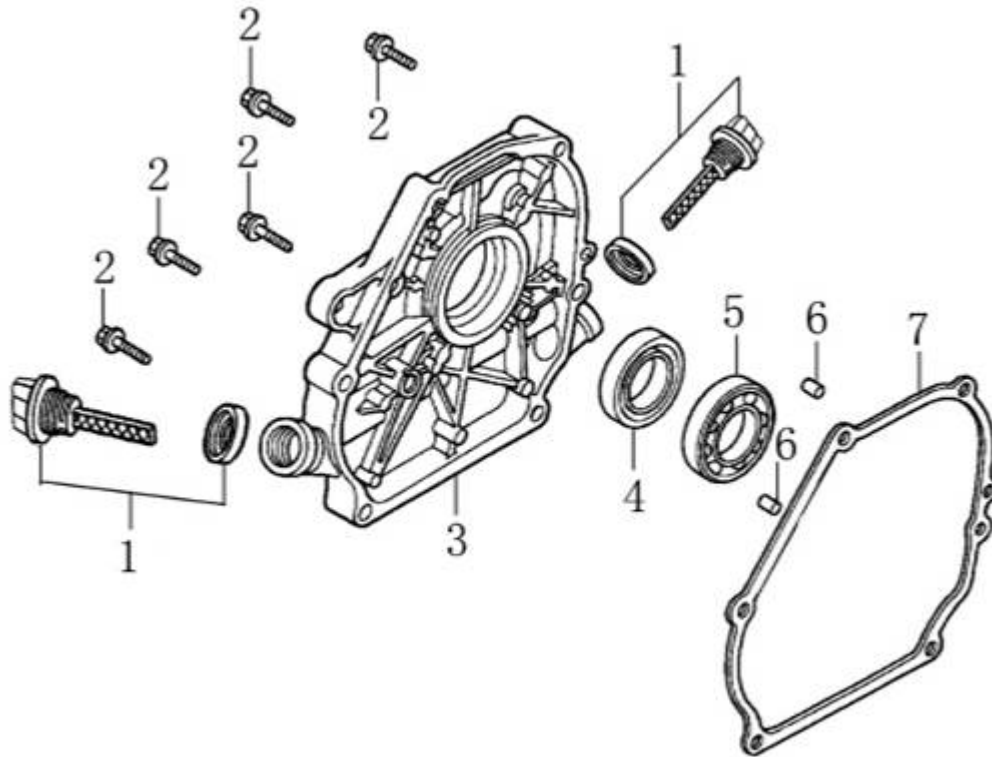
REF. NO.	DESCRIPTION	PART NO.	RQD
1	Cylinder Head – EPA3	<i>Reference Only</i>	1
2	Stud, Threaded – 1	<i>Reference Only</i>	2
3	Pin, Dowel	<i>Reference Only</i>	2
4	Gasket, Cylinder	A201410	1
5	Stud, Threaded – 2	<i>Reference Only</i>	2
6	Plug, Spark, F7TC	A201233	1
7	Screw, Hex Flange Head, M8x1.25x60, Zinc, Grade	<i>Reference Only</i>	4
8	Gasket, Valve Cover – EPA3	A202638	1
9	Cover, Valve – EPA3	A202639	1
10	Screw, Hex Flange Head, M6x1.0x14, Zinc, Grade 8.8	<i>Reference Only</i>	4
11	Tube, Breather	A201416	1
12	Cap, Breather Chamber	A202640	1
13	Gasket, Breather Chamber	A202641	1
14	Strainer, Oil	A202642	1
15	Screw, Hex Flange Head, M5x0.8x10, Zinc, Grade	<i>Reference Only</i>	2

Crankcase



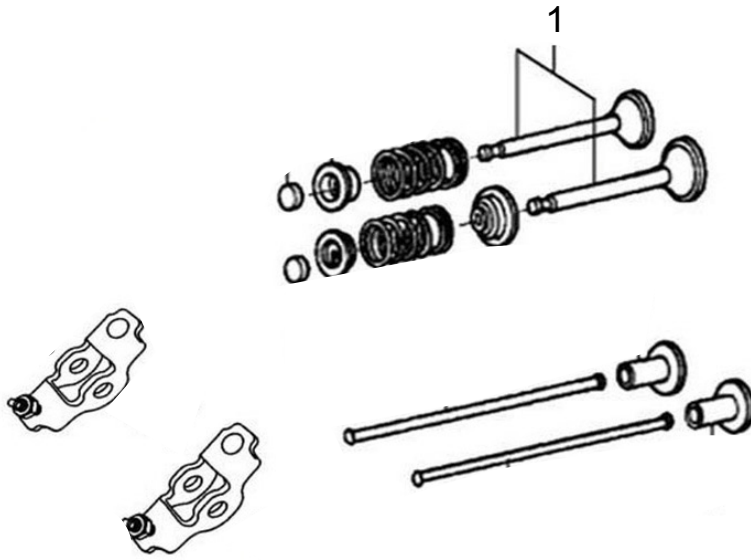
REF. NO.	DESCRIPTION	PART NO.	RQD
1	Crankcase	<i>Reference Only</i>	1
2	Seal, Oil, 25X41.25X6	A201418	1
3	Washer, Drain Plug	A201419	2
4	Bolt, Drain Plug	A201420	2
5	Alarm Unit, Sensor Module	A201421	1
6	Screw, Hex Flange Head, M6x1.0x10, Zinc, Grade 8.8	<i>Reference Only</i>	1
7	ASM, Oil Level Switch	A201423	1
8	Flange Bolt, M6 x 14mm	<i>Reference Only</i>	2

Crankcase Cover



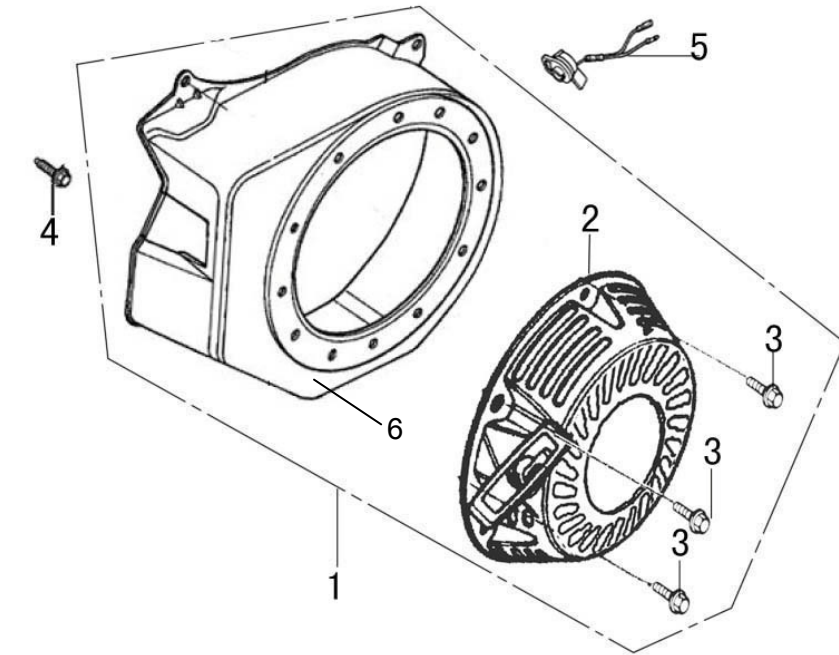
REF. NO.	DESCRIPTION	PART NO.	RQD
1	Kit, Dip Stick	A201430	2
2	Screw, Hex Flange Head, M8x1.25x32, Zinc, Grade 8.8	<i>Reference Only</i>	6
3	Cover, Crankcase	<i>Reference Only</i>	1
4	Seal, Oil, 25X41.25X6	A201418	1
5	Bearing, Radial Ball 6205	<i>Reference Only</i>	1
6	Pin, Dowel, M8 x 14mm	<i>Reference Only</i>	2
7	Gasket, Crankcase Cover	A202644	1

Camshaft



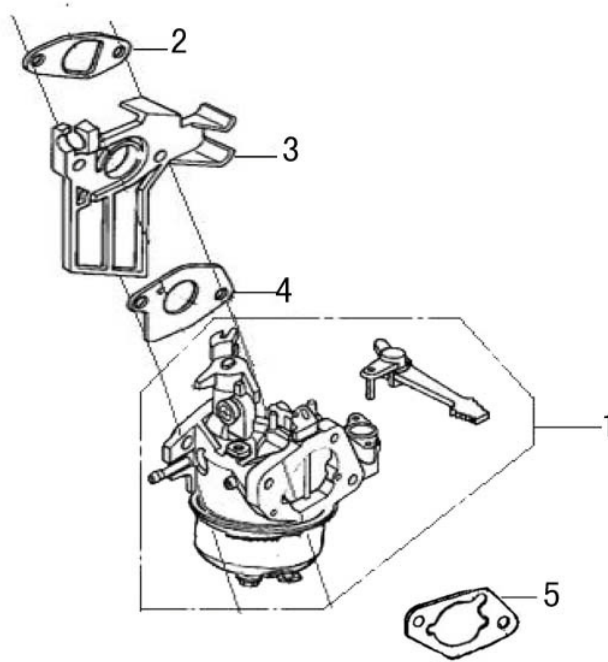
REF. NO.	DESCRIPTION	PART NO.	RQD
1	Kit, Valve Set	A201468	1

Recoil Starter



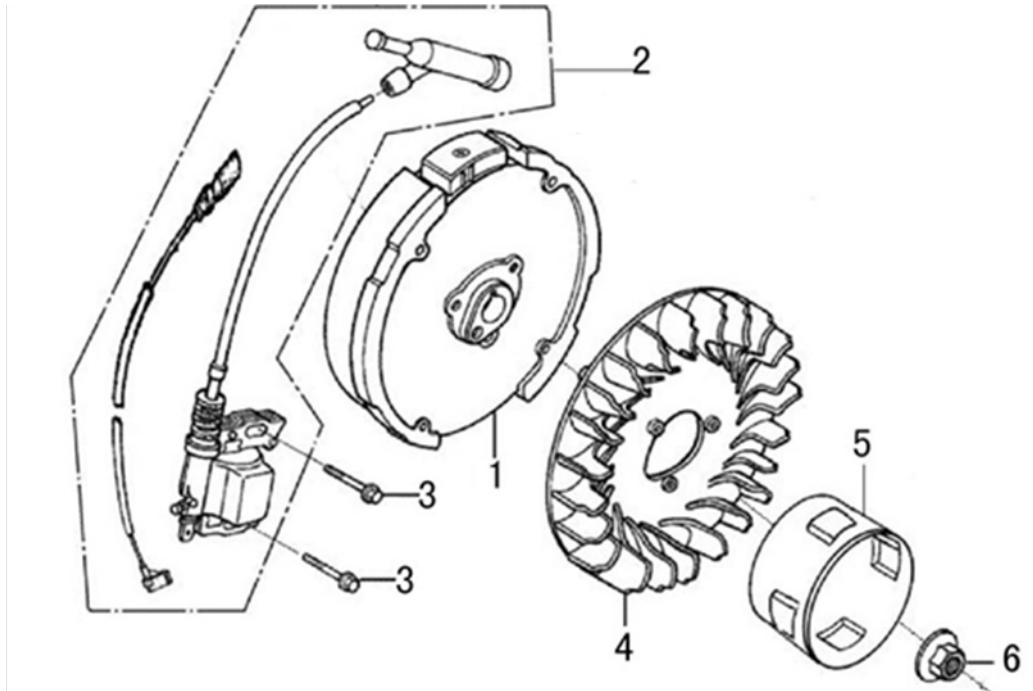
REF. NO.	DESCRIPTION	PART NO.	RQD
1	Kit, Recoil Starter (Includes #2,3, & 6)	A201471	1
2	Kit, Starter ASM	A201477	1
3	Screw, Hex Flange Head, M6x1.0x8, Zinc, Grade 8.8	Reference Only	3
4	Screw, Hex Flange Head, M6x1.0x10, Zinc, Grade 8.8	Reference Only	1
5	Kit, Kill Switch – On/Off	A201473	1
6	Cover, Fan	A201474	1

Carburetor



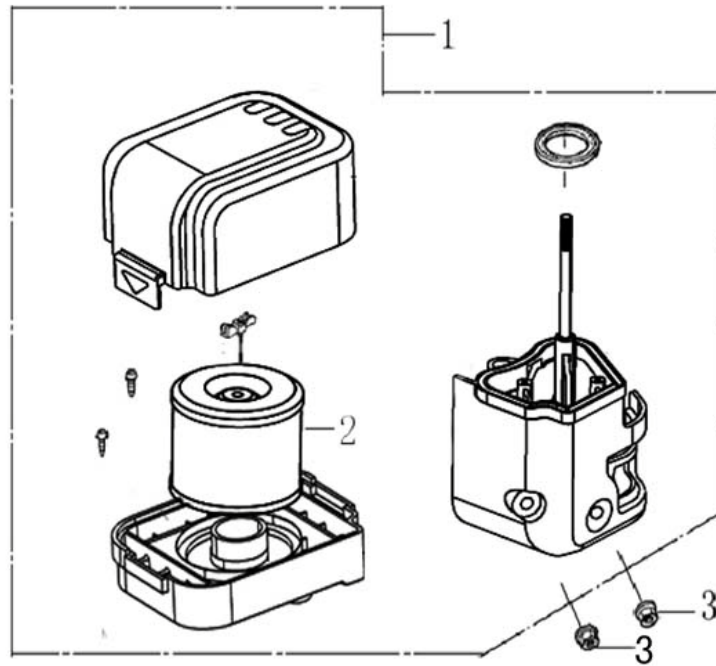
REF. NO.	DESCRIPTION	PART NO.	RQD
1	ASM, Carburetor – EPA3	A202645	1
2	Gasket, Carburetor Spacer	A202646	1
3	Spacer, Gasket	A201496	1
4	Gasket, Carburetor	A202647	1
5	Gasket, Air Filter	A201498	1

Flywheel / Ignition



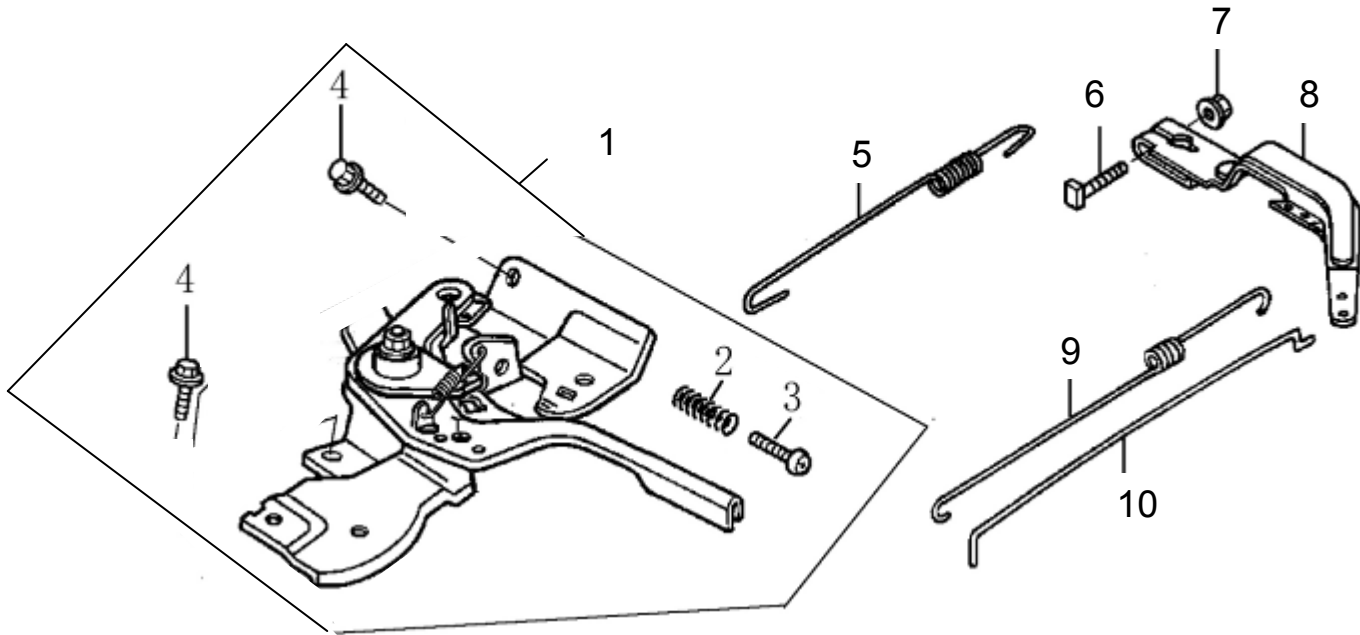
REF. NO.	DESCRIPTION	PART NO.	RQD
1	ASM, Flywheel	A201512	1
2	ASM, Ignition Coil	A201513	1
3	Screw, Hex Flange Head, M6x1.0x25, Zinc, Grade 8.8	<i>Reference Only</i>	2
4	Fan, Flywheel	A201521	1
5	Pulley, Starter	A201522	1
6	Nut, Flywheel	A201523	1

Air Cleaner



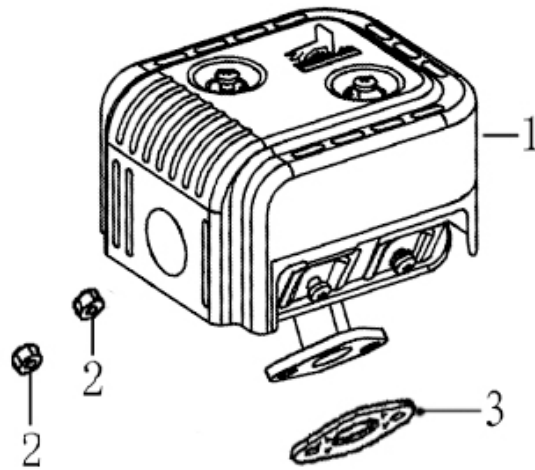
REF. NO.	DESCRIPTION	PART NO.	RQD
1	Kit, Air Filter ASM-EPA3 (Includes #2)	A202648	1
2	Element, Filter – EPA3	A202649	1
3	Hex Flange Nut, M6x1.0, Zinc, Grade 8	<i>Reference Only</i>	2

Control Assembly



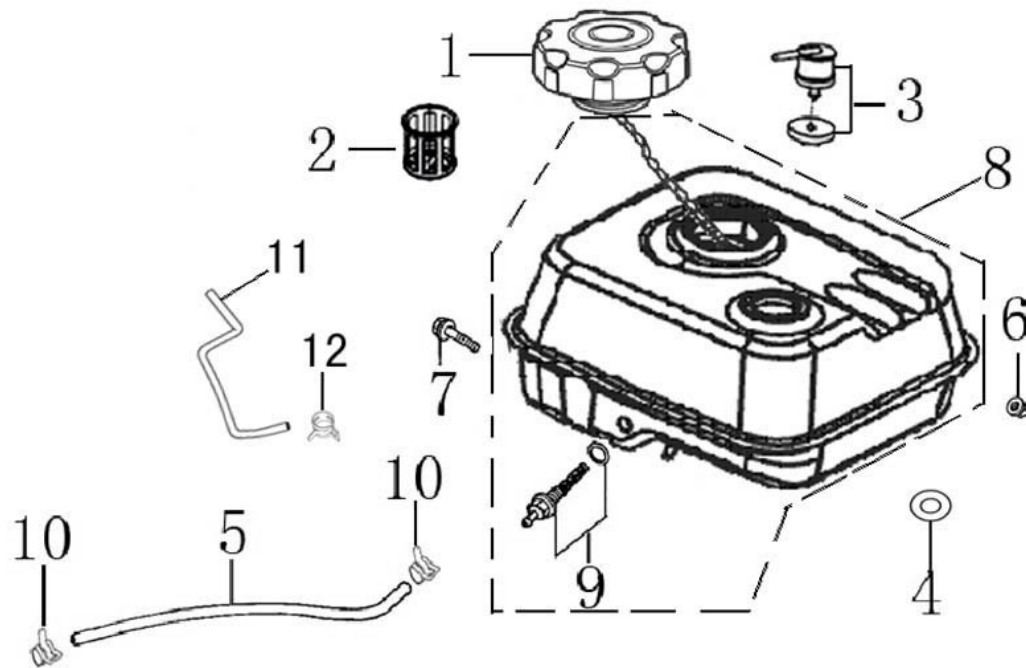
REF. NO.	DESCRIPTION	PART NO.	RQD
1	Kit, Control ASM (Includes #2-4)	A201537	1
2	Spring, Idle	<i>Reference Only</i>	1
3	Screw, M5 x 35mm	<i>Reference Only</i>	1
4	Bolt, Flange	<i>Reference Only</i>	2
5	Spring, Governor	A201546	1
6	Bolt, Governor Arm	A201547	1
7	Hex Flange Nut, M6x1.0, Zinc, Grade 8	<i>Reference Only</i>	1
8	Arm, Governor	A201549	1
9	Spring, Throttle Return	A201550	1
10	Rod, Governor	A201551	1

Muffler



REF. NO.	DESCRIPTION	PART NO.	RQD
1	ASM, Muffler – EPA3	A202650	1
2	Hex Nut, M8x1.25, Zinc, Grade 8	<i>Reference Only</i>	2
3	Gasket, Muffler – EPA3	A202651	1




Fuel Tank – EPA3



REF. NO.	DESCRIPTION	PART NO.	RQD
1	Cap, Fuel	A202652	1
2	Filter, Fuel Cap	A202653	1
3	Valve, Breather	A202654	1
4	Isolator, Tank	A201563	2
5	Line, Fuel	A202655	1
6	Hex Flange Nut, M6x1.0, Zinc, Grade 8	<i>Reference Only</i>	2
7	Screw, Hex Flange Head, M6x1.0x25, Zinc, Grade 8.8	<i>Reference Only</i>	1
8	Tank, Fuel	A202657	1
9	Filter, In-Line Fuel	A201559	1
10	Clip, Fuel Line	<i>Reference Only</i>	2
11	Line, Breather Valve	A202656	1
12	Clip, Breather Valve Line	<i>Reference Only</i>	2

Engine Decals

⚠ WARNING

	Read and follow Operating Instructions before running engine.
	Gasoline is flammable. Allow engine to cool at least 2 minutes before refueling.
	Engines emit carbon monoxide, DO NOT run in enclosed area.

Use Regular Unleaded Gasoline with a Minimum of 87 Octane

Do Not Use E85 or Fuel Containing More than 10% Ethanol



ENGINE START-UP INSTRUCTIONS

1. Insert the locking pin to secure the wheels in locked position.
2. Turn the Engine Switch to the "on" position.
3. Open the Fuel Valve.
4. Close the Choke Lever.
5. Adjust the Throttle Control to the high speed.
6. Pull the Starter Handle until engine starts.
7. After starting the engine, open the Choke Lever.

AIR FILTER MAINTENANCE

Check air filter daily. Clean the foam pre-filter with warm soapy water. Squeeze out excess water and allow pre-filter to air dry. Apply 1 to 2 ounces of clean engine oil to the foam pre-filter and squeeze out excess. Inspect air filter for damage or excessive dirt. Replace if necessary. Clean all dirt from the inside of the air filter box. Replace air filter and pre-filter every 50 hours of operation or every season.

REF. NO.	DESCRIPTION	PART NO.	RQD
1	Decal Sheet, Engine – 196cc EPA3	A202692	1