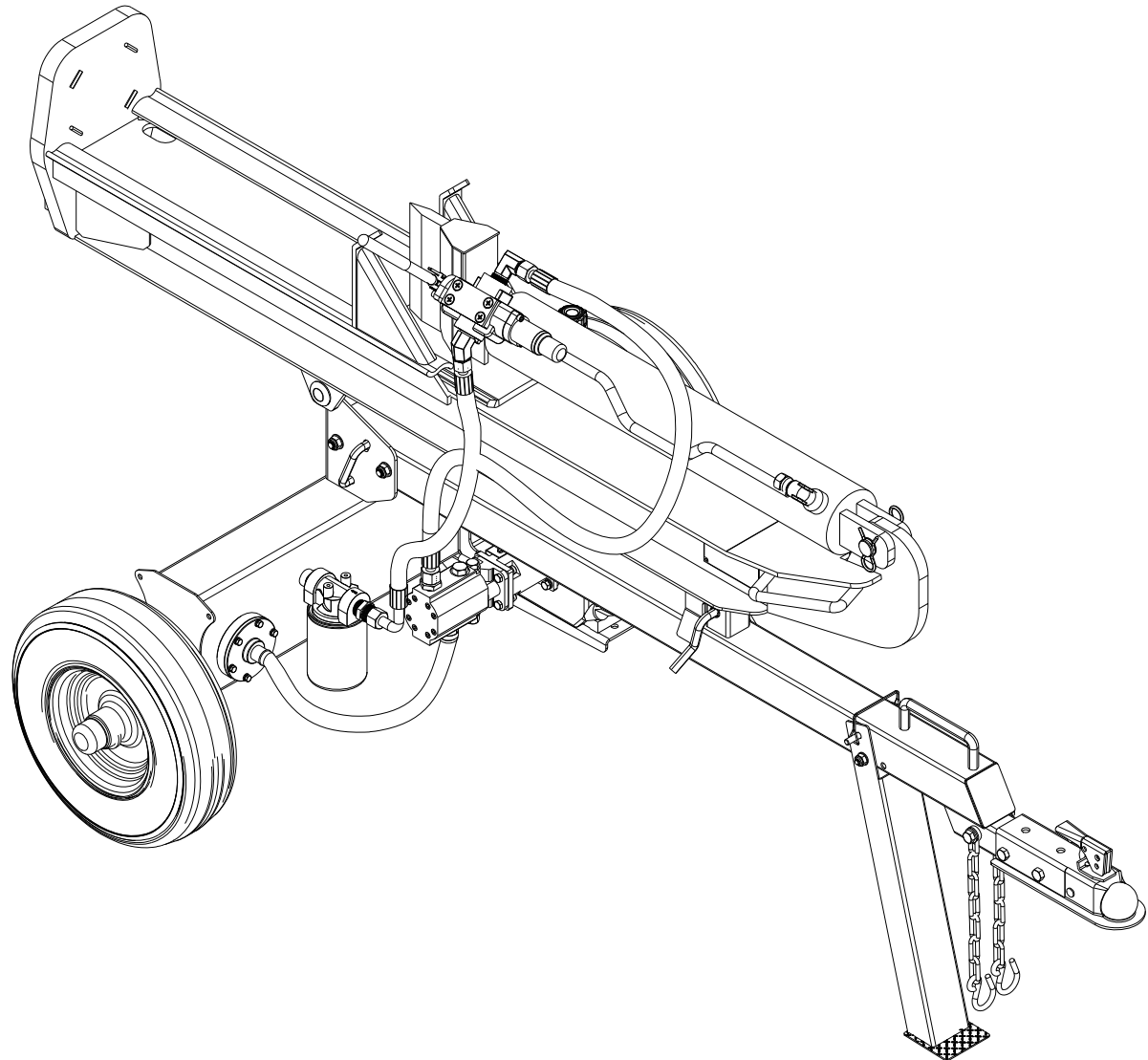
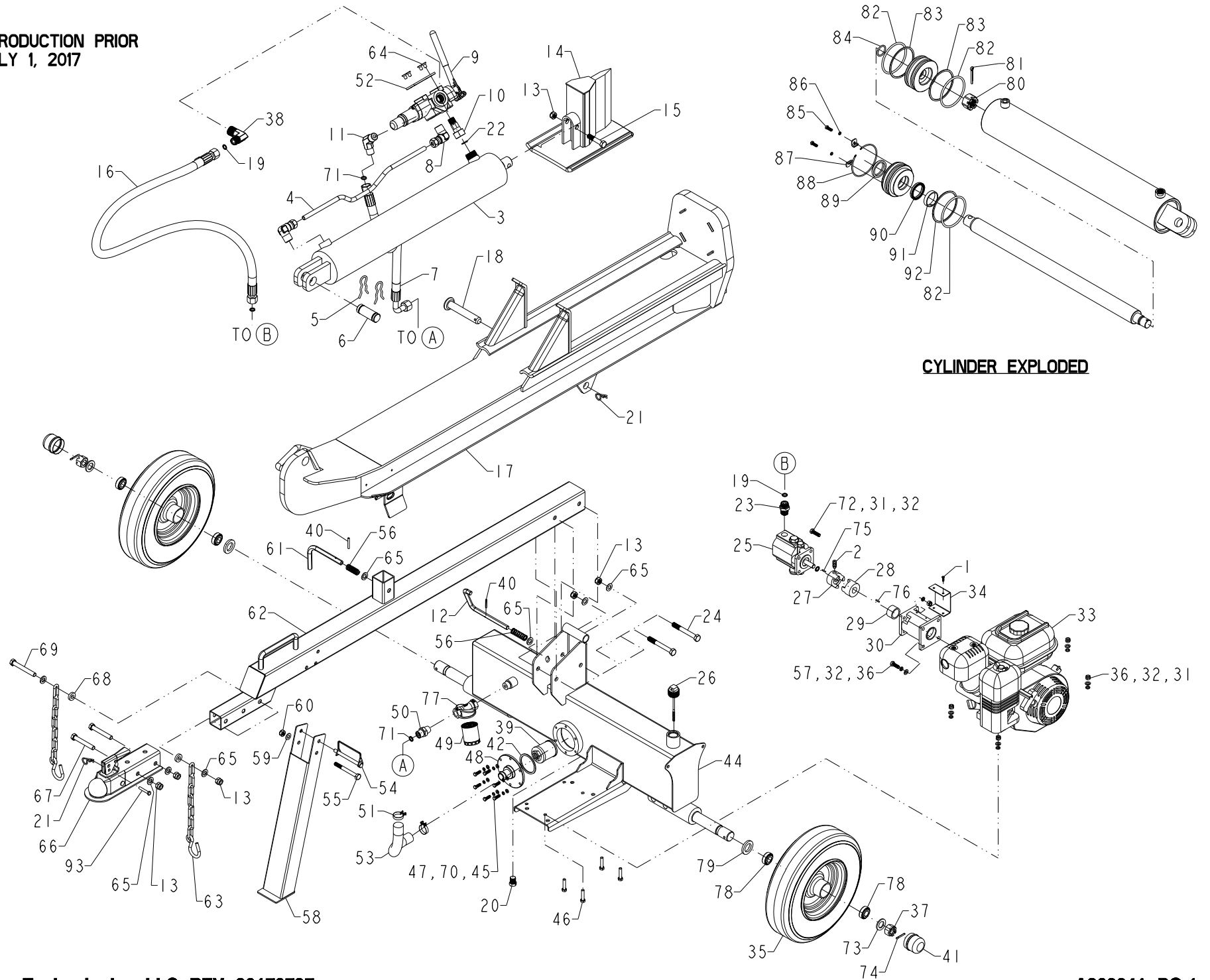




ILLUSTRATED PARTS BOOK
25 Ton Log Splitter
PLS20825

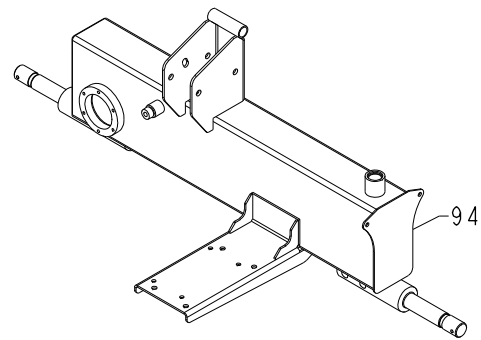


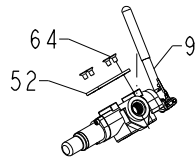
FOR PRODUCTION PRIOR
TO JULY 1, 2017



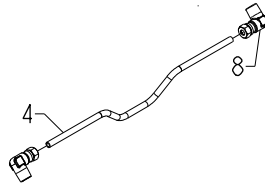
CYLINDER EXPLODED

FOR PRODUCTION AFTER
JULY 1, 2017

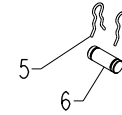




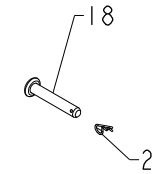
KIT A
CONTROL VALVE
A203324



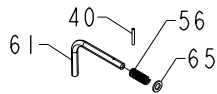
KIT B
METAL HYDRAULIC HOSE
A203325



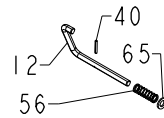
KIT C
PIN
A203326



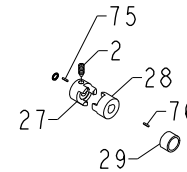
KIT D
PIVOT PIN
A203327



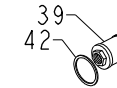
KIT E
FRONT PIN
A203328



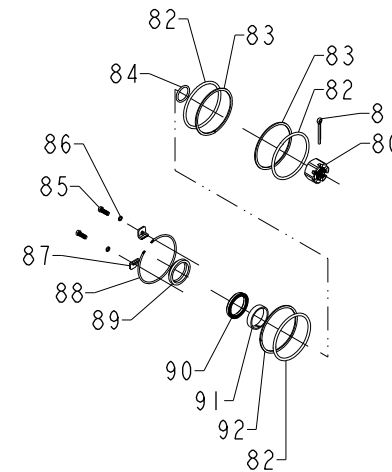
KIT F
REAR PIN
A203329



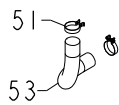
KIT G
COUPLER ASSEMBLY
A203330



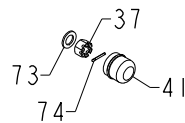
KIT H
INNER OIL FILTER
A203331



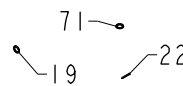
KIT L
CYLINDER REBUILD
A203335



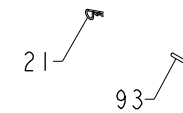
KIT I
OIL PIPE
A203332



KIT J
WHEEL RETAINING
A203333



KIT K
O-RING
A203334



KIT N
TOW HITCH PINS
A203446

Hydraulic Oil

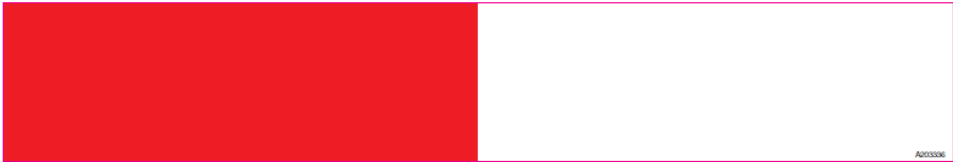
Use 10W AW32 or ISO 32 type.



A203336

Vertical Splitting

1. Pull front safety pin to release beam.
2. Rotate beam to vertical position.
3. Pull rear lock pin and rotate to 9:00 o'clock position to secure beam.



A203336

NOTICE

Keep the beam clean and free of debris to avoid damage to log splitter

WARNING

Pinch Hazard
Avoid hand injury.

Lock support leg in the down position by inserting pin prior to splitting.

WARNING			<p>Operating Instructions</p> <ol style="list-style-type: none"> 1. Wear ANSI approved safety gloves, glasses and footwear. 2. Position splitter on a flat surface with wheels blocked. 3. After ensuring proper fluid levels, start engine and advance throttle. 4. Position log onto beam and against the endplate. NOTICE: Always split wood in the direction of the grain and hold the log by its sides when loading. 5. Push control valve handle FORWARD to split log. 6. Push control valve handle BACKWARD to return wedge to its original position.
<p>Read and follow operating instructions before operating log splitter.</p>	<p>Hydraulic fluid injection hazard</p> <ul style="list-style-type: none"> • High pressure fluid escaping from a small hole can penetrate skin causing serious injury. • Avoid contact with escaping fluids. • Check for leaks using paper, never your hands. 	<p>Burn Hazard Avoid skin burn</p> <ul style="list-style-type: none"> • Hydraulic cylinder and other components can become very hot. • Avoid contact. • Wear gloves when operating. 	
<p>Impact or Pinch Hazard</p> <ul style="list-style-type: none"> • Keep bystanders at least 10 feet away. • Only one person should operate and load the log splitter, staying within the designated operator zone. 	<p>Overturn and Slope Hazard Avoid personal injury</p> <ul style="list-style-type: none"> • Do not operate or transport log splitter on slopes greater than 5 degrees. • Block wheels to prevent movement and lock beam in the horizontal or vertical position. 		

WARNING

Crush Hazard
Avoid hand injury.

- When pivoting beam to horizontal position, keep hands away from beam stop.
- Ensure pin completely locks beam before splitting or towing.

WARNING

Avoid serious injury or death while towing

- Read and follow operator manual instructions for correct attachment and towing.
- Ensure the correct ball size of 2 inch is on the towing vehicle.
- Ensure safety chains are correctly attached prior to towing.
- Do NOT exceed a maximum towing speed of 45 MPH.

WARNING

Crush Hazard

Avoid injury

Keep arms and hands away from moving parts.

CONTROL LEVER OPERATION

Split Log ← Neutral → Return

**KIT M
WARNING DECALS
A203337**

PLS20825 PARTS LIST

Ref#	Part No.	Description	Qty
1		Hex Bolt M5 x 0.8 x 10mm, Zinc, Grade 8.8	4
2	Kit G	Inner Hex Cone Point Set Screw M6 x 1.0 x 10mm, Black Oxide, Grade 4.8	1
3	A203300	Cylinder, Orange	1
4	Kit B	Metal Hydraulic Tube	1
5	Kit C	Retaining Pin Ø5mm	2
6	Kit C	Cylinder Pin	1
7	A203301	Hydraulic Hose (Valve to External Filter)	1
8	Kit B	Compression Elbow	2
9	Kit A	One-Way Single Handle Control Valve	1
10	A203302	Combination Connector	1
11	A203303	130° Elbow	1
12	Kit F	Rear Pin	1
13		Nylon Lock Nut M12 x 1.75, Zinc, Grade 4.8	6
14	A203304	Wedge	1
15		Hex Bolt M12 x 1.75 x 65mm, Zinc, Grade 8.8	1
16	A203305	Hydraulic Hose (Valve to Pump)	1
17	A203306	Beam Assembly	1
18	Kit D	Pivot Pin	1
19	Kit K	O Ring Ø11.2 x 2.4mm	3
20	A203307	Oil Plug	1
21	Kit D & N	Cotter Pin Ø12mm	2
22	Kit K	O Ring Ø15.2 x 2.4mm	1
23	A203308	Pump Outlet Connector	1
24		Hex Bolt M12 x 1.75 x 100mm, Zinc, Grade 8.8	2
25	A203309	Gear Pump	1
26	A203310	Oil Cap	1
27	Kit G	Gear Pump Coupler	1
28	Kit G	Engine Coupler	1
29	Kit G	Engine Bushing	1
30	A203311	Gear Pump Stand	1
31		Nylon Lock Nut M8 x 1.25, Zinc, Grade 4.8	8
32		Lock Washer M8	12
33	See Note A	Engine 208cc Horizontal Shaft	1
34	A203312	Coupler Cover	1
35	A203313	Wheel Assembly	2
36		Flat Washer M8	8
37	Kit J	Thin Hex Slotted Nut M20	2
38	A203314	90° Elbow	1
39	Kit H	Inner Oil Filter	1
40	Kit E & F	Spring Pin Ø3 x 30mm	2
41	Kit J	Axle Cap	2
42	Kit H	Rubber Gasket	1
43	Kit G	Wire Snap Ring For Shaft	1
44	A203315	Oil Tank, Orange, with (2) A203336 50 x 300mm Reflectors	1
45		Flat Washer M6	6
46		Hex Bolt M8 x 1.25 x 40mm, Zinc, Grade 8.8	4
47		Hex Bolt M6 x 1.0 x 20mm, Zinc, Grade 8.8	6

Ref#	Part No.	Description	Qty
48	A203316	Filter Fixed Plate	1
49	A203317	Outer Oil Filter	1
50	A203318	Connector	1
51	Kit I	Hose Clamp	2
52	Kit A	Plate	1
53	Kit I	Oil Pipe	1
54	A203319	Lock Pin	1
55		Hex Bolt M10 x 1.5 x 95mm, Zinc, Grade 8.8	1
56	Kit E & F	Spring	2
57		Hex Bolt M8 x 1.25 x 25mm, Zinc, Grade 8.8	4
58	A203320	Front Support Leg	1
59		Flat Washer M10	1
60		Nylon Lock Nut M10 x 1.5, Zinc, Grade 4.8	1
61	Kit E	Front Pin	1
62	A203321	Tow Bar 2" Ball Diameter	1
63	A203322	Chain Assembly	2
64	Kit A	Cross Screw M8 x 1.25 x 10mm, Zinc, Grade 4.8	4
65	Kit E & F	Flat Washer M12	8
66	A203323	Coupler	1
67		Hex Bolt M12 x 1.75 x 80mm, Zinc, Grade 8.8	2
68		Flat Washer M12 x 32 x 4mm Thick	2
69		Hex Bolt M12 x 1.75 x 90mm, Zinc, Grade 8.8	1
70		Lock Washer M6	6
71	Kit K	O Ring Ø17 x 2.5mm	2
72		Hex Bolt M8 x 1.25 x 30mm, Zinc, Grade 8.8	4
73	Kit J	Flat Washer M20	2
74	Kit J	Cotter Pin Ø4 x 36mm	2
75	Kit G	Gear Pump Key 3.2 x 3.2 x 25mm C1045 Steel	1
76	Kit G	Engine Key 4.78 x 4.78 x 44.5mm C1045 Steel	1
77	A203338	Filter Housing	1
78	A203339	Tapered Roller Bearing	4
79	A203340	Oil Seal	2
80	Kit L	Slotted Nut	1
81	Kit L	Cotter Pin	1
82	Kit L	O Ring Ø95 x 5.3mm	3
83	Kit L	Snap Ring	2
84	Kit L	O Ring Ø30 x 3.55mm	1
85	Kit L	Hex Bolt	1
86	Kit L	Lock Washer	1
87	Kit L	Retaining Bracket	1
88	Kit L	Snap Ring	1
89	Kit L	Dust Ring	1
90	Kit L	Seal Ring	1
91	Kit L	Guide Ring	1
92	Kit L	Snap Ring	1
93	Kit N	Tow Hitch Pin	1
94	A203774	Oil Tank, Orange, with (2) A203336 50 x 300mm Reflectors	1

KITS

Kit#	Part No.	Description	Ref#
A	A203324	Control Valve	9,52,64
B	A203325	Metal Hydraulic Hose	4,8
C	A203326	Pin	5,6
D	A203327	Pivot Pin	18,21
E	A203328	Front Pin	40,56,61,65
F	A203329	Rear Pin	12,40,56,65
G	A203330	Coupler Assembly	2,27,28,29,43,75,76

Kit#	Part No.	Description	Ref#
H	A203331	Inner Oil Filter	39,42
I	A203332	Oil Pipe	51,53
J	A203333	Wheel Retaining	37,41,73,74
K	A203334	O-Ring	19,22,71
L	A203335	Cylinder Rebuild	80-92
M	A203337	Warning Decals	/
N	A203446	Tow Hitch Pins	21, 93

Note A: Consult the accompanying engine manual or contact our service department at 1-800-558-5402 for assistance.