



ILLUSTRATED PARTS BOOK

43cc Earth Auger

PEA438

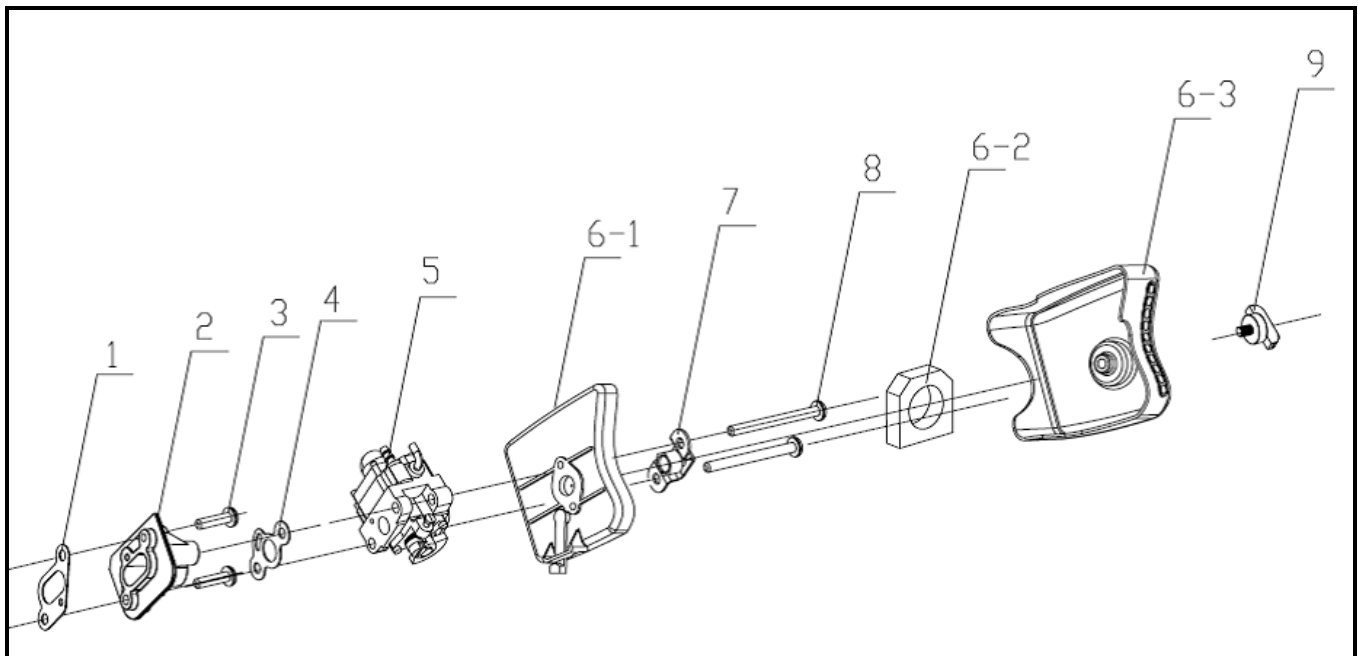
PEA438.1



Table of Contents

Carburetor Kit.....	2-3
Fuel Line Kit.....	4
Muffler Kit.....	5
Exploded View, 43cc Auger Engine.....	6-8
Exploded View, Auger Bit, Transmission, and Handle.....	9-10
Unit Decal Sheet.....	11

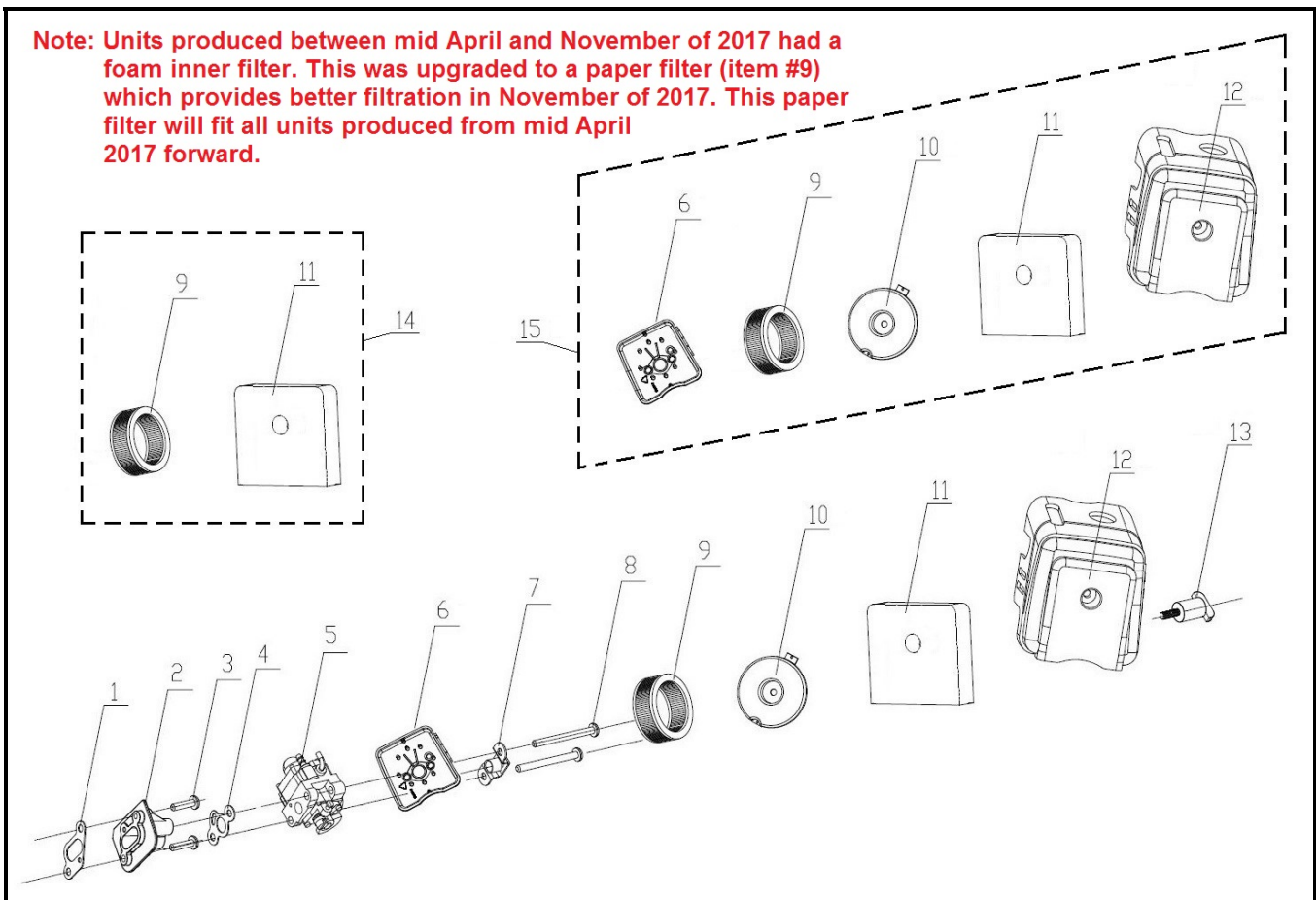
Kit, Carburetor – A201152 Model produced before April 21, 2017



REF. NO.	DESCRIPTION	PART NO.	QTY
1	Gasket, Isolator	A201108	1
2	Isolator, Carburetor	A201109	1
3	Bolt, M5 x 25	<i>For Reference Only</i>	2
4	Gasket, Carburetor	A201111	1
5	Carburetor, 43cc	A201112	1
6	Assembly, Air Filter (including 6-1, 6-2 and 6-3)	A201113	1
6-1	Housing, Air Filter	<i>For Reference Only</i>	1
6-2	Filter, Foam Element	A203798	1
6-3	Cover, Air Filter	<i>For Reference Only</i>	1
7	Bracket, Air Filter	A201114	1
8	Screw, M5 x 60	<i>For Reference Only</i>	2
9	Knob, Air Filter, M5 x 20	A201116	1

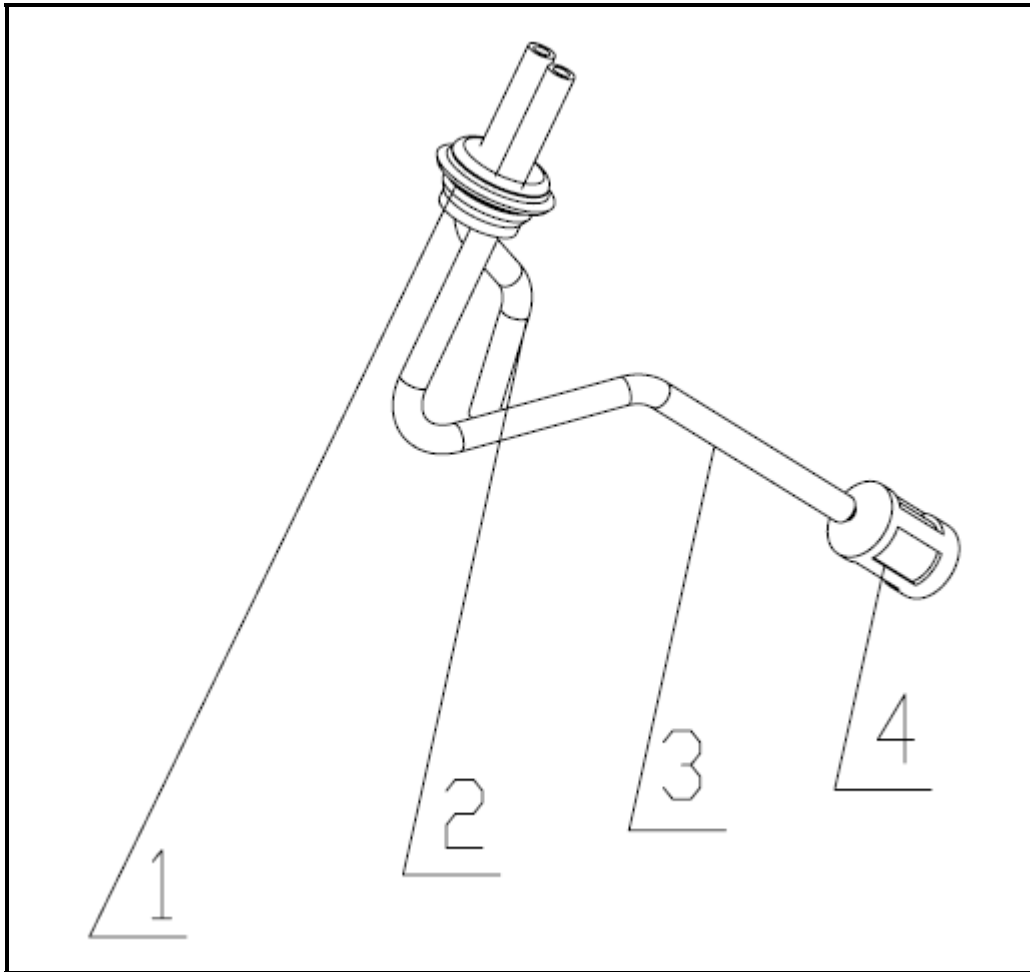
Kit, Carburetor – Model produced after mid April 2017

Note: Units produced between mid April and November of 2017 had a foam inner filter. This was upgraded to a paper filter (item #9) which provides better filtration in November of 2017. This paper filter will fit all units produced from mid April 2017 forward.



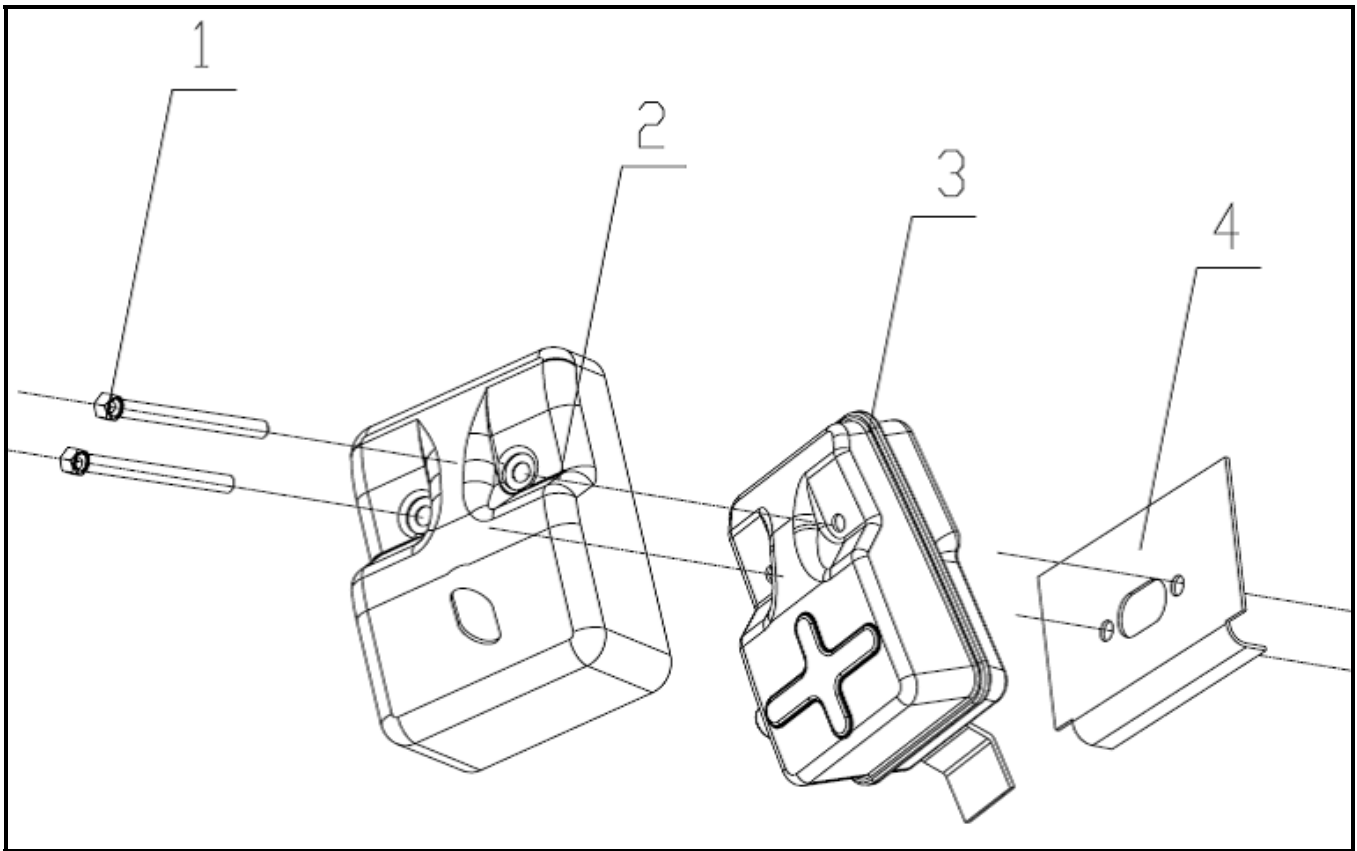
REF. NO.	DESCRIPTION	PART NO.	QTY
1	Gasket, Isolator	A201108	1
2	Isolator, Carburetor	A201109	1
3	Bolt, M5 x 25	<i>For Reference Only</i>	2
4	Gasket, Carburetor	A201111	1
5	Carburetor, 43cc	A201112	1
6	Housing, Air Filter	<i>For Reference Only</i>	1
7	Bracket, Air Filter	A201114	1
8	Screw, M5 x 60	<i>For Reference Only</i>	2
9	Filter, Pleated	<i>For Reference Only</i>	1
10	Mounting Plate, Element	<i>For Reference Only</i>	1
11	Filter, Foam Element	<i>For Reference Only</i>	1
12	Cover, Air Filter	<i>For Reference Only</i>	1
13	Knob, Air Filter	A203718	1
14	Kit, Filters (Includes items #9 & 11)	A203643	1
15	Kit, Air Filter	A203714	1

Kit, Fuel Line – A201153



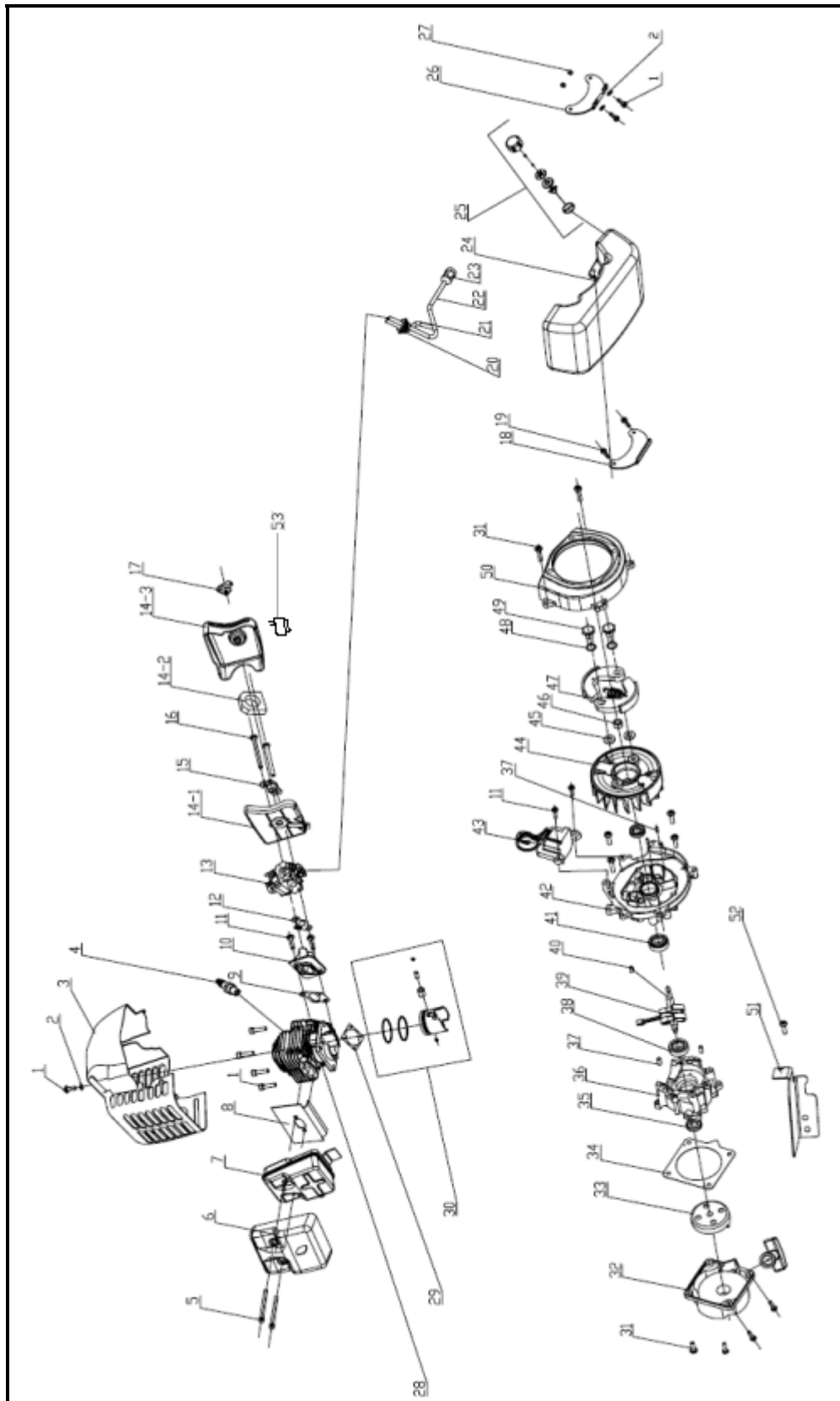
REF. NO.	DESCRIPTION	PART NO.	QTY
1	Grommet, Fuel Tank	<i>For Reference Only</i>	1
2	Outlet Line, Fuel	<i>For Reference Only</i>	1
3	Inlet Line, Fuel	<i>For Reference Only</i>	1
4	Filter, Fuel	A201122	1

Kit, Muffler - A201154



REF. NO.	DESCRIPTION	PART NO.	QTY
1	Bolt, M6 x 55	<i>For Reference Only</i>	2
2	Cover, Muffler	<i>For Reference Only</i>	1
3	Muffler	<i>For Reference Only</i>	1
4	Gasket, Muffler	A201107	1

Exploded View, 43cc Auger Engine - A202277



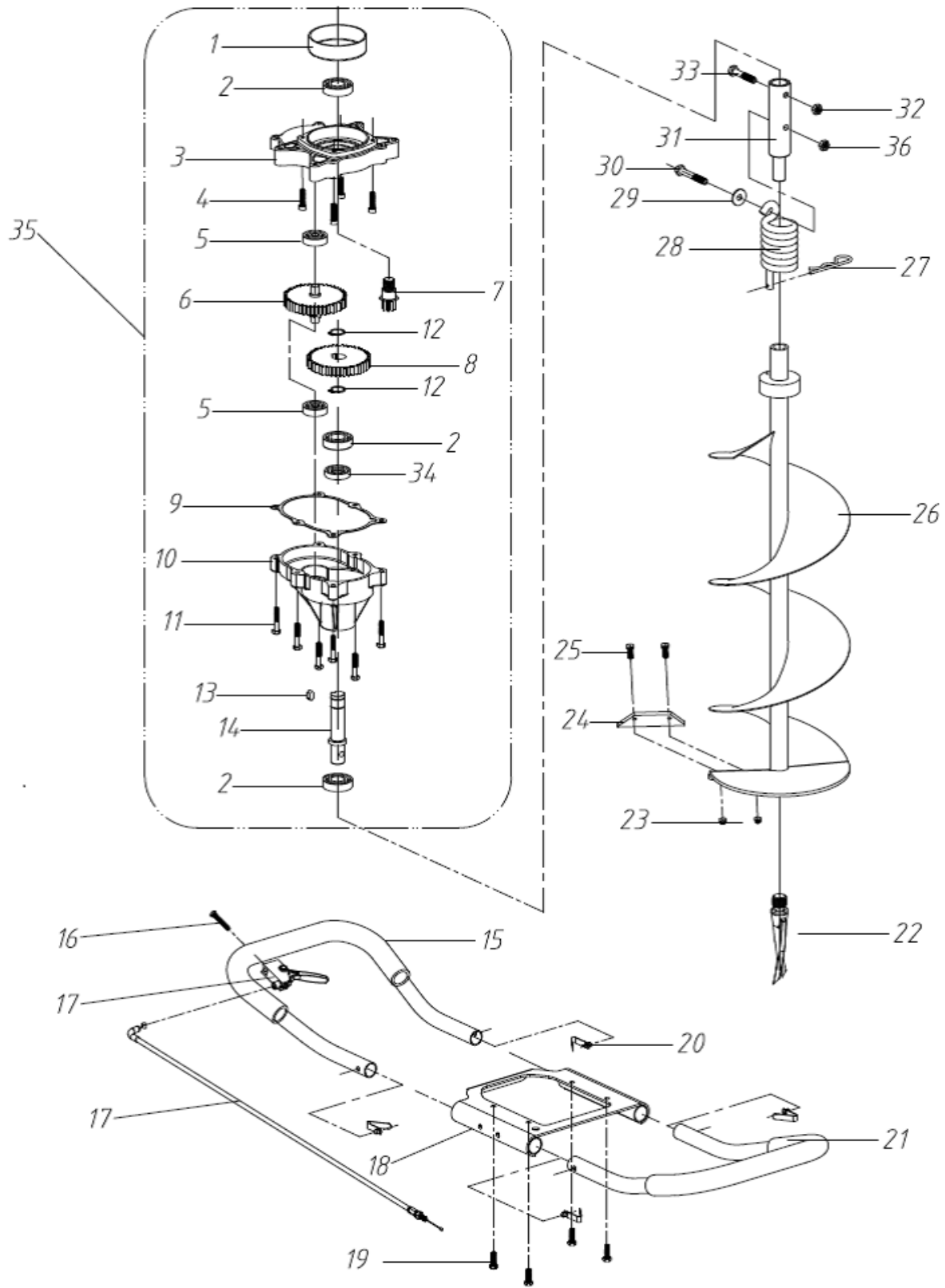
Exploded View, 43cc Auger Engine – A202277

REF. NO.	DESCRIPTION	PART NO.	QTY
1	Bolt, M5 x 16	<i>For Reference Only</i>	7
2	Washer, M5	<i>For Reference Only</i>	3
3	Shroud, Engine	A203420	1
4	Spark Plug, L7RTC	A201103	1
5	Bolt, M6 x 55	<i>For Reference Only</i>	2
6	Cover, Muffler	<i>For Reference Only</i>	1
7	Muffler	<i>For Reference Only</i>	1
8	Gasket, Muffler	A201107	1
9	Gasket, Isolator	A201108	1
10	Isolator, Carburetor	A201109	1
11	Bolt, M5 x 25	<i>For Reference Only</i>	4
12	Gasket, Carburetor	A201111	1
13	Carburetor	A201112	1
14	Assembly, Air Filter (including 14-1, 14-2 and 14-3)	A201113	1
15	Bracket, Air Filter	A201114	1
16	Screw, M5 x 60	<i>For Reference Only</i>	2
17	Knob, Air Filter, M5 x 20	A201116	1
18	Mounting Bracket, Fuel Tank, Bottom	A201117	1
19	Screw, M5 x 20	<i>For Reference Only</i>	2
20	Grommet, Fuel Tank	<i>For Reference Only</i>	1
21	Outlet Line, Fuel	<i>For Reference Only</i>	1
22	Inlet Line, Fuel	<i>For Reference Only</i>	1
23	Filter, Fuel	A201122	1
24	Fuel Tank	A201123	1
25	Cap, Fuel	A201124	1
26	Mounting Bracket, Fuel Tank, Top	A201125	1
27	Nut, M5	<i>For Reference Only</i>	2
28	Cylinder	<i>For Reference Only</i>	1
29	Gasket, Cylinder	<i>For Reference Only</i>	1
30	Piston	<i>For Reference Only</i>	1
31	Bolt, M5 x 20	<i>For Reference Only</i>	8
32	Starter, Recoil	A201131	1
33	Pawl, Starter	A201132	1
34	Mounting Plate, Starter	A201133	1
35	Seal, TC22X12X7, Crankcase	<i>For Reference Only</i>	1
36	Crankcase, Right	<i>For Reference Only</i>	1
37	Pin, 5 x 12	<i>For Reference Only</i>	4
38	Ball Bearing, 6202	<i>For Reference Only</i>	2
39	Crankshaft	<i>For Reference Only</i>	1
40	Key, 3 x 5 x 13, Crankshaft	<i>For Reference Only</i>	1
41	Seal, TC22X12X7, Crankcase	<i>For Reference Only</i>	1
42	Crankcase, Left	<i>For Reference Only</i>	1
43	Module, Ignition	A201142	1

Exploded View, 43cc Auger Engine – A202277

44	Flywheel, 43cc	A201143	1
45	Washer, M8	<i>For Reference Only</i>	2
46	Nut, M8	<i>For Reference Only</i>	1
47	Clutch	A201146	1
48	Spring Washer, M8	A201147	2
49	Bolt, Clutch	A201148	2
50	Cover, Flywheel	A201149	1
51	Gasket, Heat Shield	<i>For Reference Only</i>	1
52	Bolt, M5 x 12	<i>For Reference Only</i>	2
53	Switch, On/Off	A203370	1

Exploded View, Auger Bit, Transmission, and Handle



Exploded View, Auger Bit, Transmission, and Handle

REF. NO.	DESCRIPTION	PART NO.	QTY
1	Drum, Clutch	A201158	1
2	Bearing, 6004-2RS	<i>For Reference Only</i>	3
3	Gear Case, Top	<i>For Reference Only</i>	1
4	Bolt, M6 x 25	<i>For Reference Only</i>	4
5	Bearing, 6003-2RZ	<i>For Reference Only</i>	2
6	Gear, 10T/48T	<i>For Reference Only</i>	1
7	Gear, 7T, Pinion Threaded	<i>For Reference Only</i>	1
8	Gear, 44T	<i>For Reference Only</i>	1
9	Gasket	A201166	1
10	Gear Case, Bottom	<i>For Reference Only</i>	1
11	Bolt, M6 x 35	<i>For Reference Only</i>	6
12	Snap Ring, Ø20	<i>For Reference Only</i>	2
13	Dowel Pin, B6 x 12	<i>For Reference Only</i>	1
14	Shaft, Output	<i>For Reference Only</i>	1
15	Assembly, Handle Bar, Right	<i>For Reference Only</i>	1
16	Screw, Throttle Trigger	A201842	1
17	Assembly, Throttle Trigger	A201843	1
18	Frame, 43cc Auger	<i>For Reference Only</i>	1
19	Bolt, M6 x 20, Gear Box Mounting	<i>For Reference Only</i>	4
20	Retainer, Handle Bar	A201175	4
21	Assembly, Handle Bar, Left	<i>For Reference Only</i>	1
22	Fishtail Point	A201179	1
23	Lock Nut, M6	<i>For Reference Only</i>	2
24	Blade, Earth	A201181	1
25	Bolt, M6 x 16	<i>For Reference Only</i>	2
26	Shaft, Auger Bit, 8"	<i>For Reference Only</i>	1
27	Hair Pin, Auger Spring	A201184	1
28	Spring, Auger Bit	A201185	1
29	Washer, M8	<i>For Reference Only</i>	1
30	Bolt, M8 x 55	<i>For Reference Only</i>	2
31	Adaptor, Auger Bit	A201188	1
32	Lock Nut, M8 (prior to Jan. 2012) Lock Nut, M10 (Jan. 2012 & after)	<i>For Reference Only</i>	1
33	Bolt, M8 x 45 (prior to Jan. 2012) Bolt, M10 x 45 (Jan. 2012 & after)	<i>For Reference Only</i>	1
34	Seal, Gear Box, TC20X36X8	<i>For Reference Only</i>	1
35	Kit, Gear Box, 43cc Auger	A201156	1
36	Lock Nut, M8	<i>For Reference Only</i>	1

Note: The complete earth auger bit (includes Ref. Nos. 22-33) can be ordered with individual packaging. Model # for 8" complete earth auger bit is **SEAB8**.

Unit Decal Sheet




TO START

- 1 Push primer bulb 6 times
- 2 Set choke lever to CHOKE / COLD START position
- 3 Set On/Off switch to ON position
- 4 Pull recoil starter handle until engine starts
- 5 When engine starts, set choke lever to WARM START / RUN position
- 6 If engine fails to start, wait 2 minutes and repeat steps above

REFER TO OPERATORS MANUAL FOR MORE INFO

FOR SERVICE



800-737-2112
powermate.com



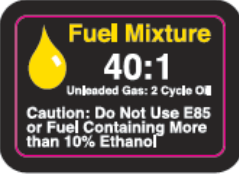
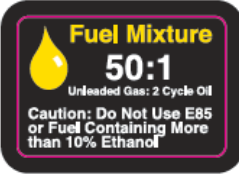
WARNING: Read and follow all warnings and safety instructions in Operator's Manual. Failure to do so can result in serious injury.

Model No. PEA43S.1
Mfg. Date Code: _____

MAT Engine Technologies, LLC
Long Grove, IL 60047
1-800-737-2112
Made in China

! WARNING

Read and understand the manual before operating this tool. Do not carry Earth Auger between drilling holes while engine is on. Do not carry Earth Auger by Auger bit. Carry the unit by the handle bars only.



REF. NO.	DESCRIPTION	PART NO.	QTY
1	Decal Sheet, Unit	A203453	1