



ILLUSTRATED PARTS BOOK

43cc Wheeled String Trimmer Mower Blower Attachment

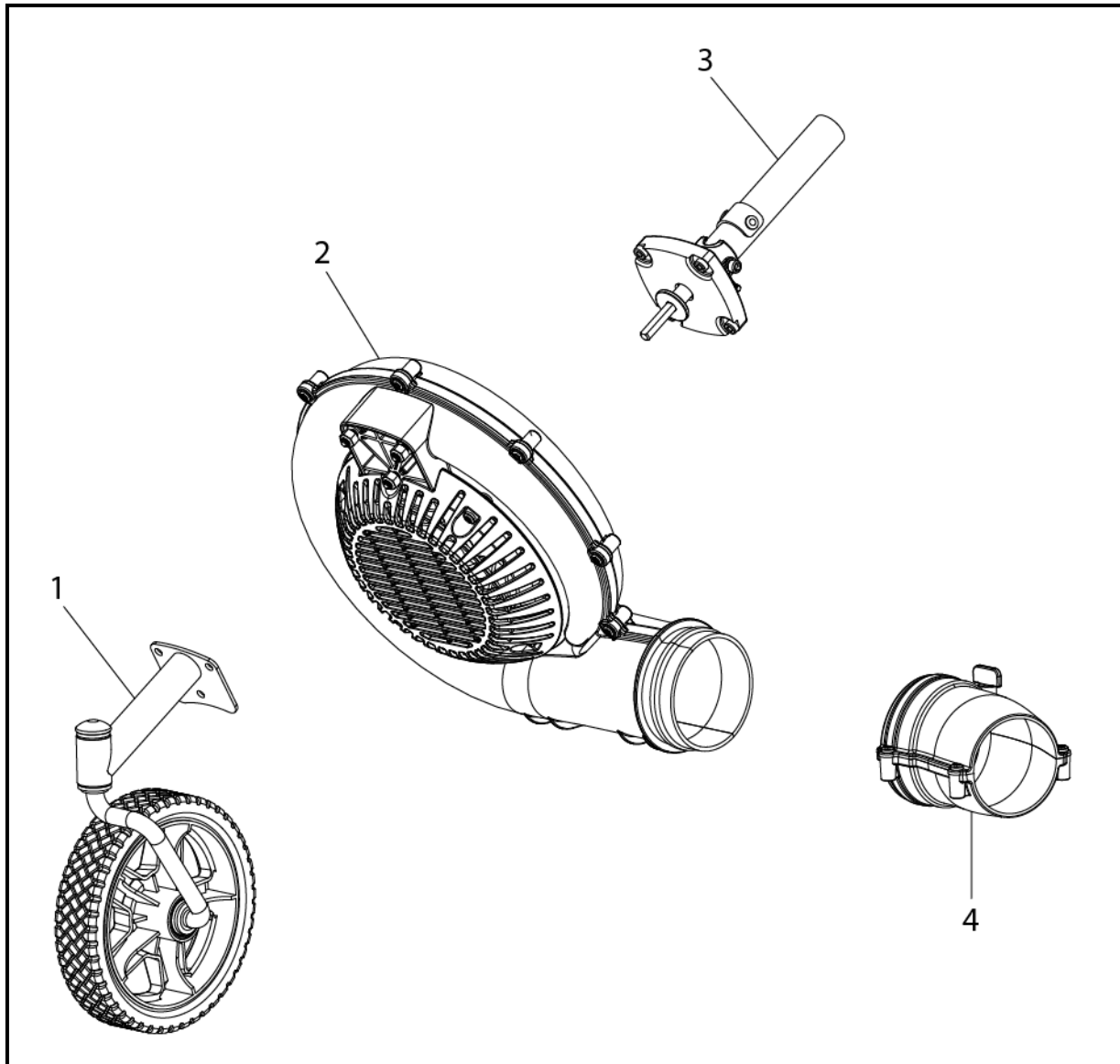
PWSTMBA



Table of Contents

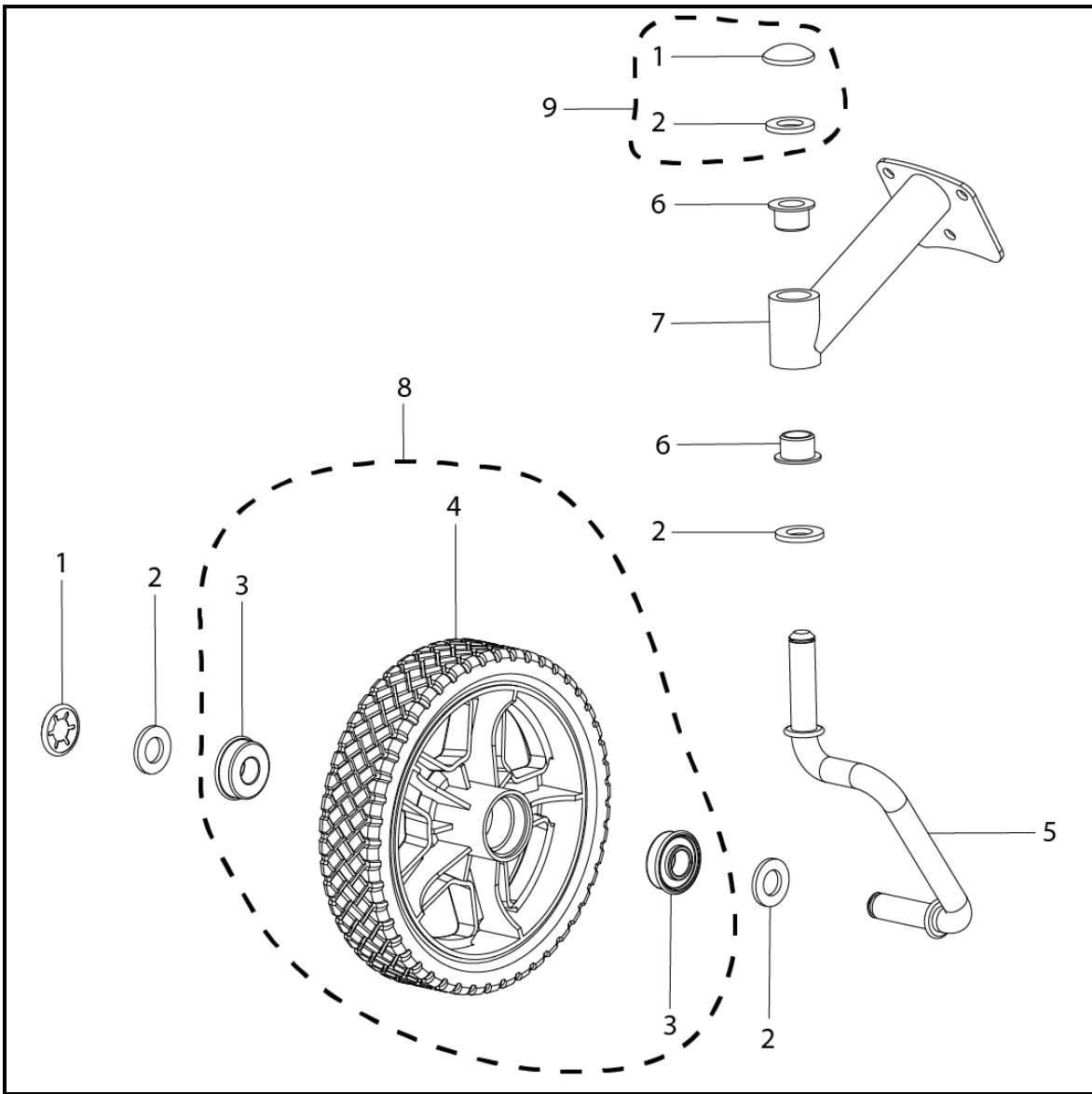
Unit Assembly.....	2
Wheel Assembly.....	3
Fan Housing Assembly.....	4-5
Drive Assembly.....	6-7
Nozzle Assembly.....	8
Decal Kit.....	9

Unit Assembly



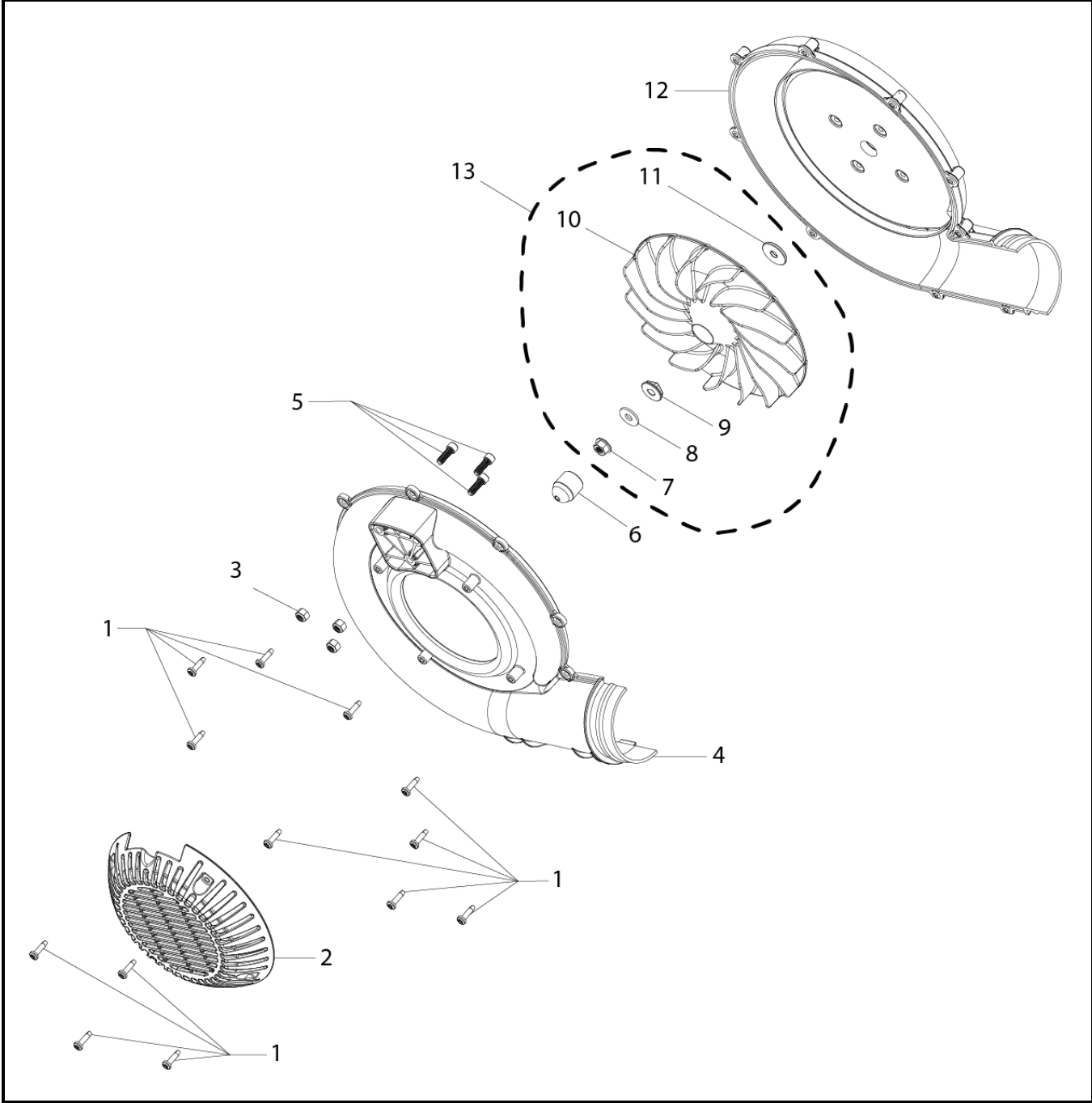
REF. NO.	DESCRIPTION	PART NO.	QTY
1	Assembly, Wheel	See Page 3	1
2	Assembly, Fan Housing	See Page 4	1
3	Assembly, Drive	See Page 5	1
4	Assembly, Nozzle	See Page 6	1

Wheel Assembly



REF. NO.	DESCRIPTION	PART NO.	QTY
1	Cap, Retainer	<i>Reference Only</i>	2
2	Flat Washer, 13 x 28 x 2.5mm	<i>Reference Only</i>	4
3	Bearing, Wheel	<i>Reference Only</i>	2
4	Wheel, 7"	<i>Reference Only</i>	1
5	Rod, Caster Wheel	A203758	1
6	Bushing, Caster Wheel Rod (kit includes two bushings)	A203864	2
7	Bracket, Caster, Powermate Orange	A203870	1
8	Kit, Wheel (includes two wheel bearings)	A203856	1
9	Kit, Retainer Cap (includes two flat washers)	A203857	1

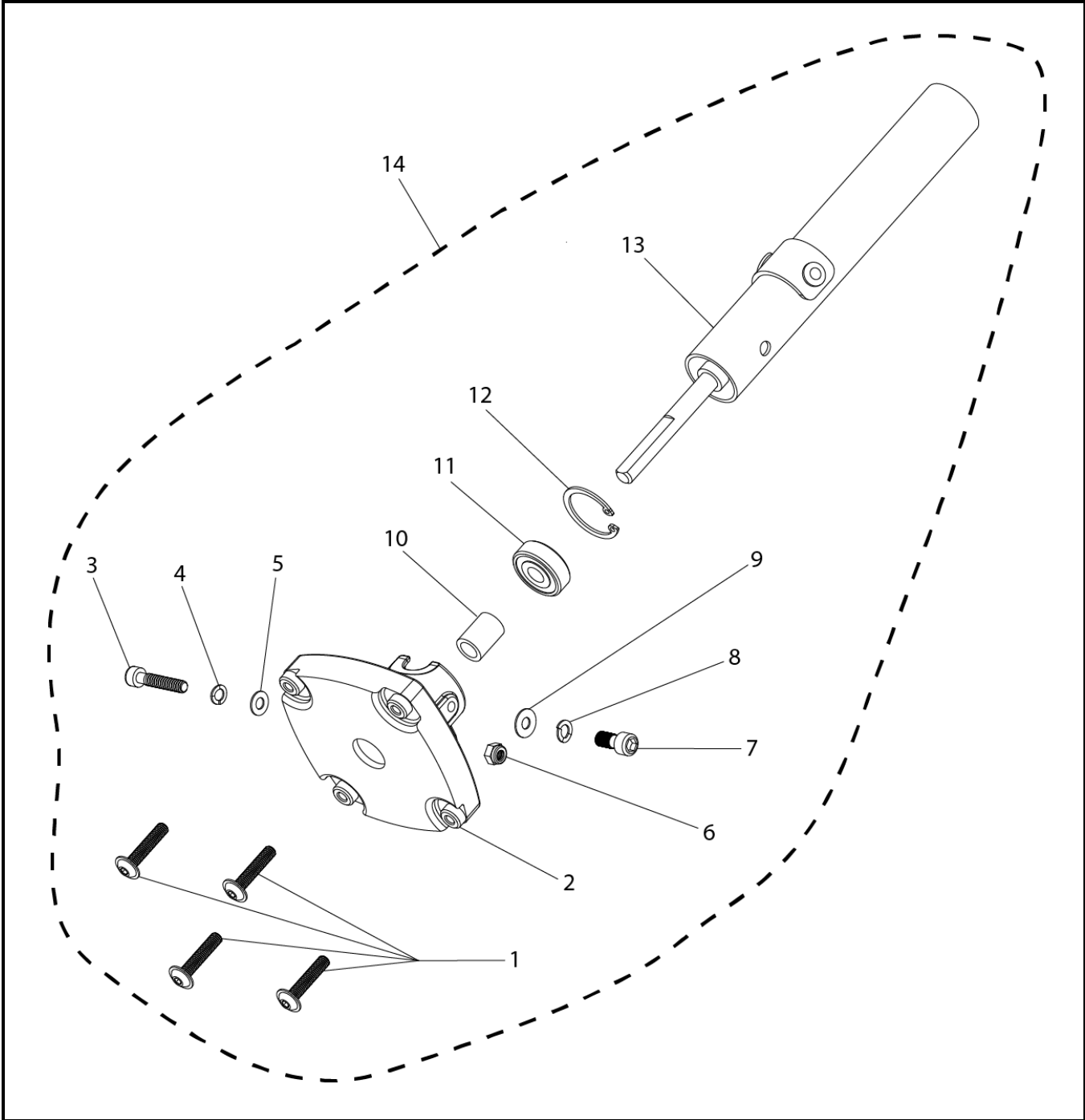
Fan Housing Assembly



Fan Housing Assembly (continued)

REF. NO.	DESCRIPTION	PART NO.	QTY
1	Screw, Plastic Thread Forming	A203866	13
2	Grille, Intake	A203746	1
3	Lock Nut, M6 x 1.0, Hex Nylon Insert	<i>Reference Only</i>	3
4	Housing, Front	A203745	1
5	Screw, M6 x 1.0 x 20, Torx Drive	<i>Reference Only</i>	3
6	Cap, Fan	A203752	1
7	Nut, M8 x 1.25, HFH Serrated	<i>Reference Only</i>	1
8	Flat Washer, 8.3 x 22 x 2mm	<i>Reference Only</i>	1
9	Arbor, PM	<i>Reference Only</i>	1
10	Fan	<i>Reference Only</i>	1
11	Flat Washer, 8.1 x 28 x 3mm	<i>Reference Only</i>	1
12	Housing, Rear	A203744	1
13	Kit, Fan (includes PM arbor, two flat washers, and nut)	A203861	1

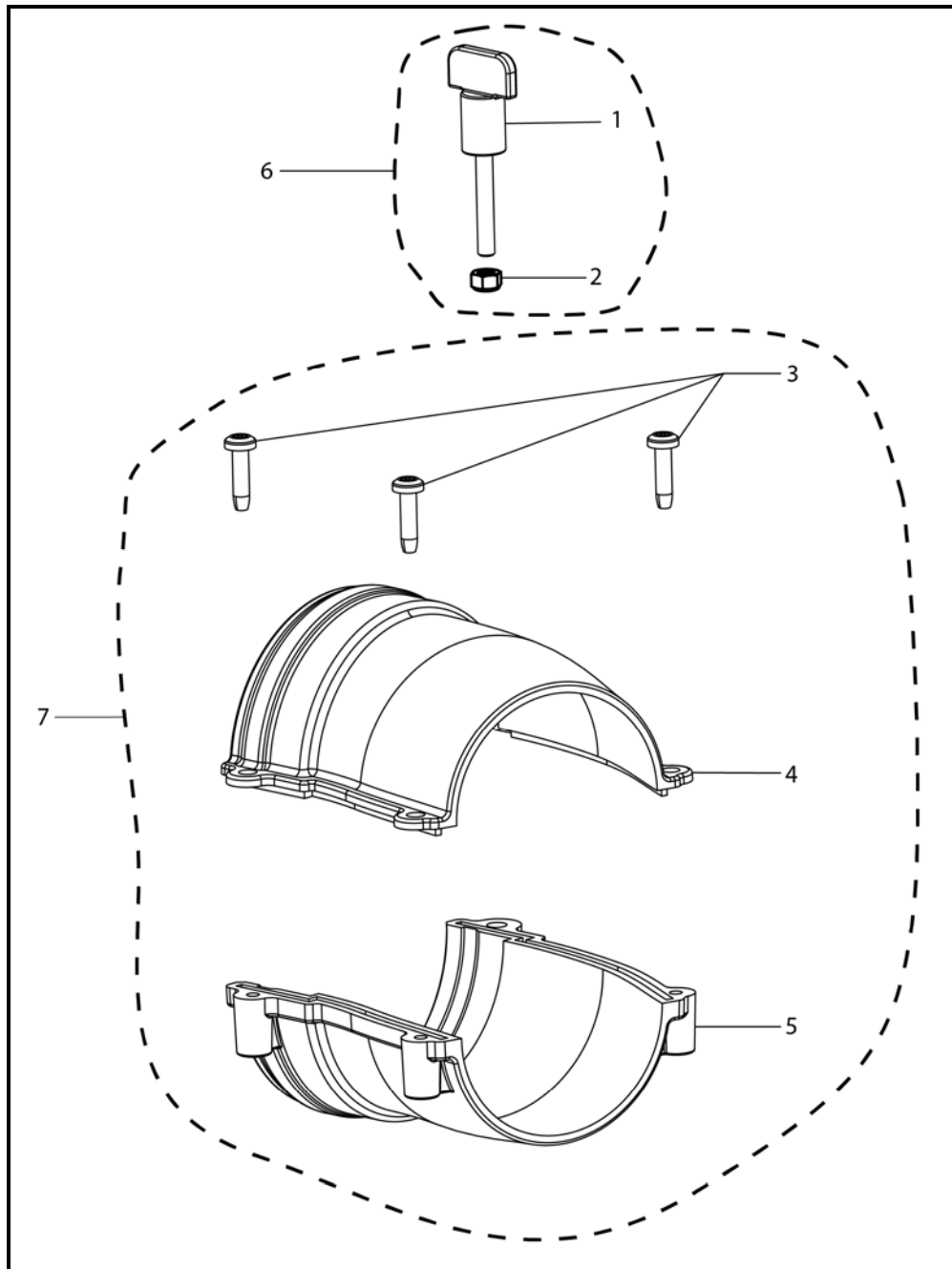
Drive Assembly



Drive Assembly (continued)

REF. NO.	DESCRIPTION	PART NO.	QTY
1	Screw, M5 x 0.8 x 25, Button Head Cap	<i>Reference Only</i>	4
2	Housing, Bearing	<i>Reference Only</i>	1
3	Screw, M5 x 0.8 x 25, SHCS	<i>Reference Only</i>	1
4	Lock Washer, M5	<i>Reference Only</i>	1
5	Flat Washer, M5	<i>Reference Only</i>	1
6	Lock Nut, M5 x 0.8, Hex Nylon Insert	<i>Reference Only</i>	1
7	Screw, M6 x 1.0 x 12, SHCS	<i>Reference Only</i>	1
8	Lock Washer, M6	<i>Reference Only</i>	1
9	Flat Washer, M6	<i>Reference Only</i>	1
10	Spacer	A203869	1
11	Bearing	<i>Reference Only</i>	1
12	Ring, Retaining	<i>Reference Only</i>	1
13	Assembly, Drive Shaft and Tube	<i>Reference Only</i>	1
14	Kit, Drive Assembly	A203865	1

Nozzle Assembly



REF. NO.	DESCRIPTION	PART NO.	QTY
1	Screw, Thumb	<i>Reference Only</i>	1
2	Nut, M5 x 0.8, Hex Nylon Insert	<i>Reference Only</i>	1
3	Screw, Plastic Thread Forming	A203866	3
4	Nozzle, Upper Half	<i>Reference Only</i>	1
5	Nozzle, Lower Half	<i>Reference Only</i>	1
6	Kit, Thumb Screw and Nut	A203860	1
7	Kit, Outlet Nozzle (includes three screws)	A203859	1

Decal Kit



REF. NO.	DESCRIPTION	PART NO.	QTY
1	Decal Kit, Powermate	A203868	1